



*Self Diagnosis*  
Supported model

# SERVICE MANUAL

# SE2AG CHASSIS

MODEL

DEST

**KDL-26S4000**

OIRT / UK / WE

**KDL-32S4000**

OIRT / UK / WE

**KDL-37S4000**

OIRT / UK / WE



RM-ED009

FLAT PANEL COLOR TV  
**SONY**®

# TABLE OF CONTENTS

<i>Section</i>	<i>Title</i>	<i>Page</i>	<i>Section</i>	<i>Title</i>	<i>Page</i>
<b>1. GENERAL</b>		3	<b>4. DIAGRAMS</b>		
	Caution .....	3	4-1.	Block Diagram .....	14
	Specifications .....	4	4-2.	Circuit Board Location .....	15
	Connectors .....	5	4-3.	Schematic Diagrams and Printed Wiring Boards .....	15
	Self Diagnosis .....	7		BC1 Board Schematic Diagram .....	16
<b>2. DISASSEMBLY</b>				HM4 Board Schematic Diagram(26/32 inches) .....	28
2-1.	Rear Cover Removal .....	8		HM5 Board Schematic Diagram(37 inches) .....	28
2-2.	Stand Removal .....	8		GA2 Board Schematic Diagram(26/32 inches) .	29
2-3.	Loudspeaker Removal .....	8		GA3 Board Schematic Diagram(37 inches) .....	30
2-4.	Side Jack Bracket Assy Removal .....	8		BC1 Printed Wiring Board .....	32
2-5.	BC1 Board Removal .....	9		HM4 Printed Wiring Board(26/32 inches) .....	32
2-6.	GA2 Board Removal (26/32 inches) .....	9		HM5 Printed Wiring Board(37 inches) .....	33
2-7.	GA3 Board Removal (37 inches) .....	9		GA2 Printed Wiring Board(26/32 inches) .....	34
2-8.	HM4/HM5 Board Removal .....	9		GA3 Printed Wiring Board(37 inches) .....	36
<b>3. ADJUSTMENTS</b>			<b>5. EXPLODED VIEWS</b>		
3-1.	How to enter the Service Mode .....	10	5-1.	Chassis .....	38
3-2.	TT Modes .....	12	5-2.	Beznet Assy .....	39
3-3.	TT OSD Labels .....	13	5-3.	Rear Cover & Power Supply Cords .....	40
			<b>6. ELECTRICAL PARTS LIST</b> .....		41

**WARNING !!**

AN ISOLATION TRANSFORMER SHOULD BE USED DURING ANY SERVICE WORK TO AVOID POSSIBLE SHOCK HAZARD DUE TO LIVE CHASSIS, THE CHASSIS OF THIS RECEIVER IS DIRECTLY CONNECTED TO THE POWER LINE.

**SAFETY-RELATED COMPONENT WARNING !!**

*COMPONENTS IDENTIFIED BY SHADING AND MARKED Δ ON THE EXPLODED VIEWS AND IN THE PARTS LIST ARE CRITICAL FOR SAFE OPERATION. REPLACE THESE COMPONENTS WITH SONY PARTS WHOSE PART NUMBERS APPEAR AS SHOWN IN THIS MANUAL OR IN SUPPLEMENTS PUBLISHED BY SONY.*

## SECTION 1 GENERAL

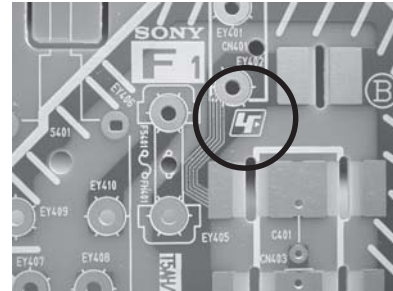
### CAUTION

#### Lead Free Soldered Boards

The circuit boards used in these models have been processed using Lead Free Solder. The boards are identified by the LF logo located close to the board designation e.g. F1, H1 etc [ see examples ]. The servicing of these boards requires special precautions to be taken as outlined below.



example 1



example 2



Lead Free Solder material must be used to comply with environmental requirements of new solder joints. Lead Free Solder is available under the following part numbers :

Partnumber	Diameter	Remarks
7-640-005-19	0.3mm	0.25Kg
7-640-005-20	0.4mm	0.50Kg
7-640-005-21	0.5mm	0.50Kg
7-640-005-22	0.6mm	0.25Kg
7-640-005-23	0.8mm	1.00Kg
7-640-005-24	1.0mm	1.00Kg
7-640-005-25	1.2mm	1.00Kg
7-640-005-26	1.6mm	1.00Kg

Due to the higher melting point of Lead Free Solder the soldering iron tip temperature needs to be set to 370 degrees centigrade. This requires soldering equipment capable of accurate temperature control coupled with a good heat recovery characteristics.

For more information on the use of Lead Free Solder, please refer to <http://www.sony-training.com>

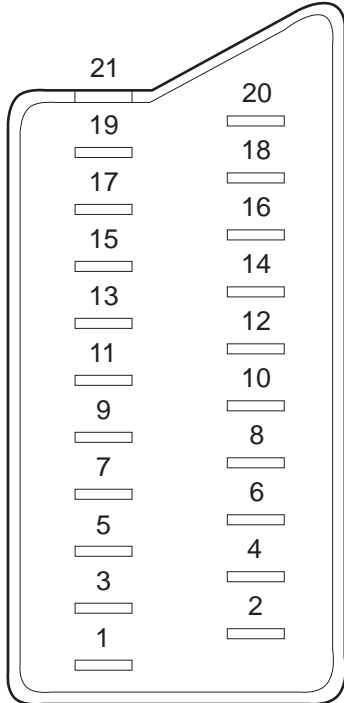
## SPECIFICATIONS

Television System	Channel Coverage	Colour/Video System
Analogue: Depending on your country/region B/G/H, D/K, L, I	Analogue: 48.25 - 855.25 MHz	Analogue: PAL, SECAM NTSC 3.58/4.43 (Video in only)
Digital: DVB-T/DVB-C	Digital: VHF/UHF	Digital: MPEG-2 MP@ML

Picture Size	LCD(Liquid Crystal Display) Panel Approx 66.0cm (26 inches) Approx 81.3cm (32 inches) Approx 94.0cm (37 inches)	Sound Output	
		Right and Left speaker	2 x 10W (RMS)
<b>Input/Output Terminals [REAR]</b>		<b>General Specifications</b>	
1: 21-pin Euro connector (CENELEC standard)	Inputs for Audio and Video signals. Inputs for RGB. Outputs of TV Video and Audio signals.	Power Requirements	220 - 240V
		Power Consumption/ Standby	(26 inches): Approx 61W/0.7W (Home mode) Approx 87W/0.7W (Shop mode) (32 inches): Approx 86W/0.7W (Home mode) Approx 129W/0.7W (Shop mode) (37 inches): Approx 106W/0.6W (Home mode) Approx 155W/0.6W (Shop mode)
2: 21-pin Euro connector (CENELEC standard)	Inputs for Audio and Video signals. Inputs for RGB. Outputs of Video and Audio signals (Selectable). SmartLink interface.	Dimensions	(26 inches): Approx 675x511x242mm (With stand) Approx 675x466x97mm (Without stand) (32 inches): Approx 809x584x242mm (With stand) Approx 809x542x99mm (Without stand) (37 inches): Approx 931x655x279mm (With stand) Approx 931x609x110mm (Without stand)
		Weight	Approx 12.5kg (26 inches with stand) Approx 10.0kg (26 inches without stand) Approx 15.5kg (32 inches with stand) Approx 13.0kg (32 inches without stand) Approx 20.5kg (37 inches with stand) Approx 17.5kg (37 inches without stand)
Component In	Supported formats:1080i, 720p, 576p, 576i, 480p, 480i Y:1 Vp-p, 75 ohms, 0.3V negative sync PB/CB:0.7 Vp-p, 75 ohms PR/CR:0.7 V p-p, 75 ohms Audio input:Phono jacks	Other Features	Intergrated digital TV Tuner DVB-T/C, HD Ready, High Picture Quality, Bravia Engine, Dynamic Contrast, Virtual Dolby Surround, BBE-Viva, PC Input, 3 HDMI Inputs.
HDMI Inputs	Video:1080i, 720p, 576p, 576i, 480p, 480i Audio:Two channel linear PCM 32, 44.1 and 48kHz, 16, 20 and 24 bits Analogue audio input:Minijack (HDMI IN 3 only)		
PC Input	Video:15 Pin D Sub Connector Audio:Minijack		
CAM	Conditional Access Module		
<b>Input/Output Terminals [SIDE]</b>		<b>Remote control system : Infrared control</b>	
Headphone jack	Stereo mini jack	Power requirements	3V dc 2 batteries IEC designation R06 (size AA)
Audio input	Phono jacks		
Video input	Phono jack		
HDMI input	HDMI Connector		
<b>Design and specifications are subject to change without notice.</b>			

## CONNECTORS

### 21 Pin Connector (SCART)




Pin No	1	2	Signal	Signal level
1	○	○	Audio output B (right)	Standard level : 0.5V rms Output impedance : Less than 1kohm*
2	○	○	Audio input B (right)	Standard level : 0.5V rms Output impedance : More than 10kohm*
3	○	○	Audio output A (left)	Standard level : 0.5V rms Output impedance : Less than 1kohm*
4	○	○	Ground (audio)	
5	○	○	Ground (blue)	
6	○	○	Audio input A (left)	Standard level : 0.5V rms Output impedance : More than 10kohm*
7	○	○	Blue input	0.7 +/- 3dB, 75 ohms positive
8	○	○	Function select (AV control)	High state (9.5-12V) : Part mode Low state (0-2V) : TV mode Input impedance : More than 10K ohms Input capacitance : Less than 2nF
9	○	○	Ground (green)	
10	●	○	AVlink	
11	○	○	Green	Green signal : 0.7 +/- 3dB, 75 ohms, positive
12	●	●	Open	
13	○	○	Ground (red)	
14	○	○	Ground (blanking)	
15	○	○	Red input	0.7 +/- 3dB, 75 ohms, positive
	-	-	(S signal Chroma input)	0.3 +/- 3dB, 75 ohms, positive
16	○	○	Blanking input (Ys signal)	High state (1-3V) Low state (0-0.4V) Input impedance : 75 ohms
17	○	○	Ground (video output)	
18	○	○	Ground (video input)	
19	○	○	Video output	1V +/- 3dB, 75ohms, positive sync 0.3V (-3+10dB)
20	○	○	Video input	1V +/- 3dB, 75ohms, positive sync 0.3V (-3+10dB)
	-	-	Video input Y (S signal)	1V +/- 3dB, 75ohms, positive sync 0.3V (-3+10dB)
21	○	○	Common ground (plug, shield)	

○ Connected      ● Not Connected (open)      \* at 20Hz - 20kHz

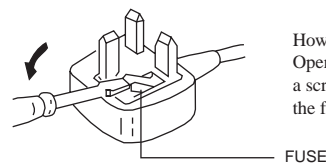
## UK PLUG WARNING

### WARNING (UK Models only)

The flexible mains lead is supplied connected to a **B.S. 1363** fused plug having a fuse of the correct rating for the set. Should the fuse need to be replaced, use a fuse of the same rating approved by ASTA to **BS 1362**, ie one that carries the  mark.

IF THE PLUG SUPPLIED WITH THIS APPLIANCE IS NOT SUITABLE FOR THE OUTLET SOCKETS IN YOUR HOME, IT SHOULD BE CUT OFF AND AN APPROPRIATE PLUG FITTED. THE PLUG SEVERED FROM THE MAINS LEAD MUST BE DESTROYED AS A PLUG WITH BARED WIRES IS DANGEROUS IF ENGAGED IN A LIVE SOCKET.

When an alternative type of plug is used, it should be fitted with the correct rating fuse, otherwise the circuit should be protected by the same rating fuse at the distribution board.



How to replace the fuse.  
Open the fuse compartment with a screwdriver blade and replace the fuse.



## SE2AG SELF DIAGNOSTIC SOFTWARE

The identification of errors within the SE2AG chassis is triggered in one of two ways :- 1: Busy or 2: Device failure to respond to IIC. In the event of one of these situations arising the software will first try to release the bus if busy (Failure to do so will report with a continuous flashing LED) and then communicate with each device in turn to establish if a device is faulty. If a device is found to be faulty the relevant device number will be displayed through the LED (Series of flashes which must be counted).

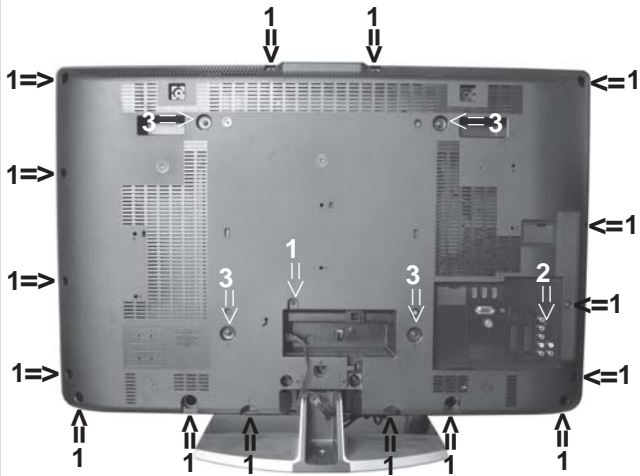
### LED Error Codes

Number of LED Flashes	Error Description	Checked	Action
02	Balancer error.	In normal mode.	Goes into standby.
03	DC error.	In normal mode.	Goes into standby.
04	Inverter error.	In normal mode.	Goes into standby.
05	NVM error.	In initialisation state.	Goes into standby.
06	IIC error.	In normal mode.	Goes into standby.
07	HDMI error.	In normal mode.	Adds error to error menu.
08	Digital error.	In normal mode.	Adds error to error menu.
09	Tuner error	In initialisation state.	Adds error to error menu.
10	SP error	In initialisation state.	Adds error to error menu.
13	RTC error	In initialisation state.	Adds error to error menu.



## SECTION 2 DISASSEMBLY

### 2-1. Rear Cover Removal

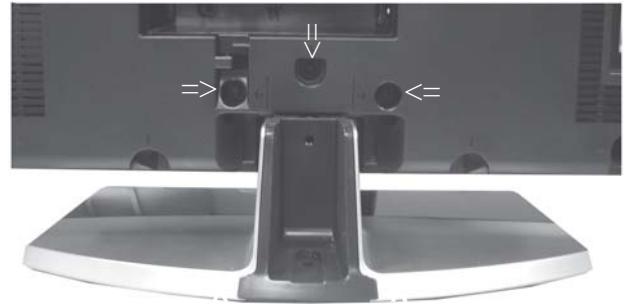


To remove the 'Rear cover' remove the 22 fixing screws indicated and pull the rear cover gently backwards away from the TV set.

#### Screw Part number(s) and Description(s)

- 1) 2-580-640-01 SCREW, +BVTP2 4X16
- 2) 7-685-648-79 SCREW, +BVTP 3X12 TYPE2 IT-3
- 3) 2-580-607-01 SCREW, +PSW M5X12

### 2-2. Stand Removal



To remove the 'Stand' remove the 3 fixing screws indicated.

#### Screw Part number(s) and Description(s)

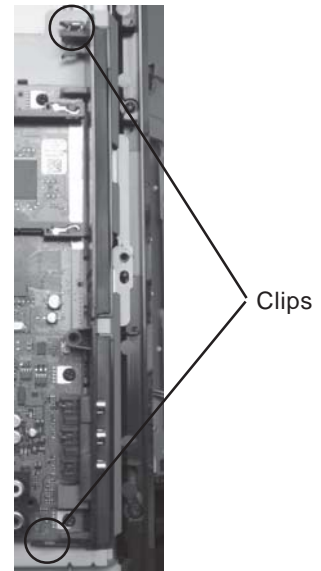
- 2-580-608-01 SCREW, +PSW M5X16

### 2-3. Loudspeaker Removal



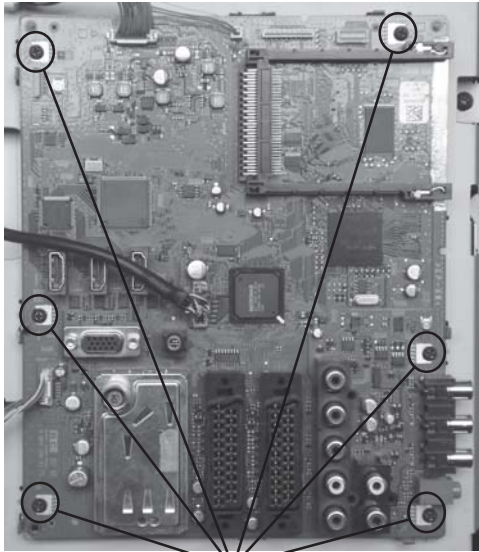
To remove the 'Loudspeaker' disconnect the speaker cables and then pull the loudspeaker gently backwards away from the back of the TV set.

### 2-4. Side Jack Bracket Assy Removal



To remove the 'Side jack bracket assy' release the 2 clips circled.

### 2-5. BC1 Board Removal



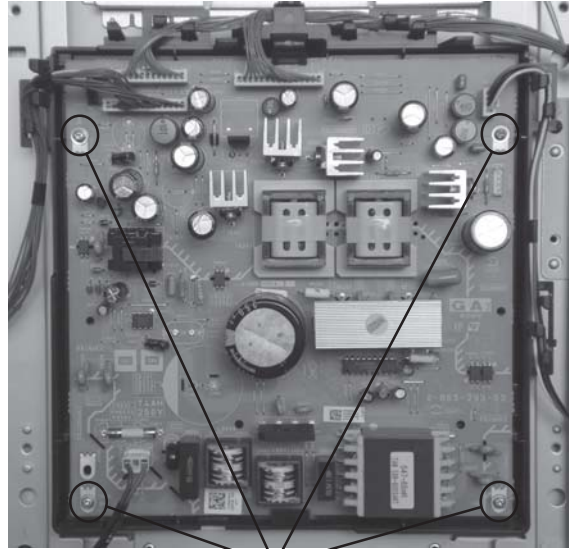
Screws

To remove the 'BC1' board disconnect all connectors and then remove the 6 screws circled and ease the board gently away from the back of the TV set.

#### Screw Part number(s) and Description(s)

2-580-629-01 SCREW, +BVST 3X8

### 2-6. GA2 Board Removal (26/32 inches)



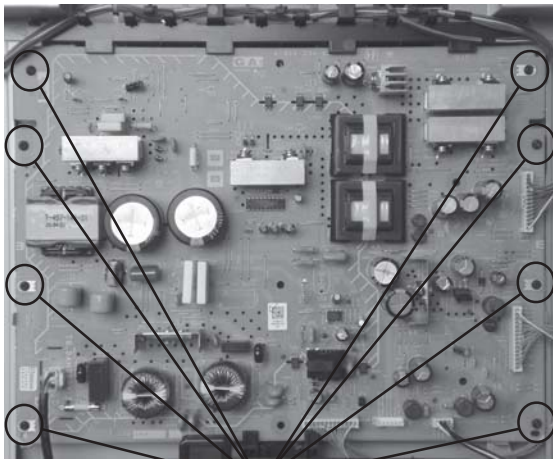
Screws

To remove the 'GA2' board disconnect all connectors and then remove the 4 screws circled and ease the board gently away from the back of the TV set.

#### Screw Part number(s) and Description(s)

2-674-965-41 SCREW, +PSW 3SG

### 2-7. GA3 Board Removal (37 inches)



Screws

To remove the 'GA3' board disconnect all connectors and then remove the 8 screws circled and ease the board gently away from the back of the TV set.

#### Screw Part number(s) and Description(s)

2-580-629-01 SCREW, +BVST 3X8

### 2-8. HM4/HM5 Board Removal



Clips

To remove either the 'HM4' or 'HM5' board firstly remove the loud-speaker and then release the 2 clips circled, disconnect the connector and ease the board gently away from the TV set.

## SECTION 3 ADJUSTMENTS

### 3-1. How to enter the Service Mode

Service adjustments to this model can be performed using the supplied remote commander RM-ED009.

1. Turn on the power to the TV set and enter into the stand-by mode.
2. Press the following sequence of buttons on the remote commander.



‘TT—’ will appear in the upper right corner of the screen. Other status information will also be displayed (See 3-3 page 13).

3. Press ‘MENU’ on the remote commander to obtain the following menu on the screen.

BACKLIGHT
HDMI
SOUND
IF ADJUST
PANEL TEMP
GAMMA CORR
ERROR MENU
SE2AG v3.22 Jul08
FACTORY DATA: 11111111
SERIAL NUMBER: 4294967295
WORKING TIME: 19:16

4. Move to the corresponding adjustment item using the up or down arrow buttons on the Remote Commander.
5. Press the right arrow button to enter into the required menu item.
6. Press the ‘Menu’ button on the Remote Commander to quit the Service Mode when all adjustments have been completed.

**Note :**

- After carrying out the service adjustments, to prevent the customer accessing the ‘Service Menu’ switch the TV set OFF and then ON again.

BACKLIGHT		
BACKLIGHT	(0, 255)	235
U BACKLIGHT	(0, 10)	10
BL SETUDEN	(0, 255)	38
BL BOTTOM	(0, 255)	92
ECO MODE	(0, 1)	1
APL MAX	(0, 255)	140
DIMMER MIN	(-128,+127)	-32
AFC FACTOR	(0, 255)	0
OSD CONTR MIN	(0, 255)	40
S BLACK OUT	(0, 255)	39
S BLACK ENTER	(0, 255)	20
S BLACK EXIT	(0, 255)	50
S BLACK STEP	(0, 255)	1
DIMMER	(0, 255)	186
APL MIN	(0, 255)	103

HDMI		
VAI2	(0, 255)	0
VAI3	(0, 255)	0
Vper MSB	(0, 255)	3
Vper LSB	(0, 255)	31
Hper MSB	(0, 255)	0
HS Width MSB	(0, 255)	0
STM LSB	(0, 255)	176
Ri (MSB)	(0, 255)	218
Ri (LSB)	(0, 255)	101
Aksv_0	(0, 255)	0
Aksv_1	(0, 255)	0
Aksv_2	(0, 255)	0
Aksv_3	(0, 255)	0
Aksv_4	(0, 255)	0
An_0	(0, 255)	0
An_1	(0, 255)	0
An_2	(0, 255)	0
An_3	(0, 255)	0
An_4	(0, 255)	0
An_5	(0, 255)	0
An_6	(0, 255)	0
An_7	(0, 255)	0
Pj	(0, 255)	202
Ainfo	(0, 255)	0
Flags	(0, 255)	6

<b>SOUND</b>			
Lineout offset	(-80, +40)		+8
M-N	(0, 511)		192
M-D	(-128, -1)		-20
M-S	(+0, +127)		+20
S-M	(+0, +127)		+10
D-M	(-128, -1)		-10
N-M	(0, 1023)		496
Effect Mode	(+0, +2)		+1
BBE Mode	(-0, +127)		+0
BBE Vol main	(+0, +255)		+3
BBE Vol res	(+0, +7)		+0
B1	(-96, +96)		+8
B2	(-96, +96)		+2
B3	(-96, +96)		-12
B4	(-96, +96)		-12
B5	(-96, +96)		+6
Loudness	(+0, +68)		+23
MB_STR	(+0, -127)		+0
MB_LIM	(-32, +0)		+0
MB_HMC	(+0, +127)		+0
MB_LP	(+5, +30)		+5
MB_HP	(+3, +30)		+3
SUBW_FREQ	(+5, +40)	00000	+5
NICAM C AD			
NICAM Error	(0, 2047)		2047
Stereo	(-128, +127)		+0
Status		0000000110	

<b>PANEL TEMP</b>		
TEMP LM75	(0, 125)	38
TEMP ADC	(0, 125)	35

<b>GAMMA CORR</b>		
GAMMA CORR	(0, 125)	0

<b>IF ADJUST</b>			
Automute		0	
Audio Gain		0	
L Gating		0	
Coincidence		0	
AFT window		1	
AFT Status		0111	
AGC TOP	(-16, +15)		+0

<b>ERROR MENU</b>		
E02: BALANCER	(0, 255)	0
E03: DC Fail	(0, 255)	0
E04: INVERTER	(0, 255)	0
E05: NVM	(0, 255)	0
E06: IIC	(0, 255)	0
E07: RESERVED	(0, 255)	0
E08: DIGITAL	(0, 255)	0
E09: TUNER	(0, 255)	0
E10: SP	(0, 255)	0
E13: RTC	(0, 255)	0
<b>WORKING TIME</b>		
HOURS	(0, 65535)	0
MINUTES	(0, 59)	0

### 3-2. TT MODES

TT mode is available by setting the TV for operation in Service Mode [ As shown on Page 10 ] , OSD 'TT' appears. The functions described below are available by selecting the two numbers. To release the 'Test mode 2', press 00, 10, 20 ... twice or switch the TV set into Stand-by mode. In 'TT Menu' mode, it is possible to remove the Menu from the screen by pressing the Speaker Off button once. Pressing the Speaker OFF button a second time will cause the Menu to reappear. The function is kept even when the menu is not displayed on screen !!.

00	'TT' mode off
03	Set volume to 35%
04	Set volume to 50%
05	Set volume to 65%
06	Set volume to 80%
07	Ageing mode on
08	Shipping Condition
09	WB adj initial conditions
14	Teletext centered
16	Picture level 50%
19	Factory toggle mode (on/off)
21	Panel detection toggle (on/off)
27	CBA mode toggle (ON/OFF)
31	ECS mode toggle (ON/OFF)
32	Set BCN channels preset
33	Connect/Disconnect EDID write o general I2C bus
34	HDMI log enable/disable
36	Gamma correction enable/disable
39	Enable Digital Test
41	Re-initialise NVM
43	Select Dual Sound "A"
44	Select Dual Sound "B"
45	Select Dual Sound "Mono"
46	Select Dual Sound "Stereo"
48	Set NVM as non-virgin
49	Set NVM as virgin
51	SuperBlack Algorithm enable/disable
52	Panel temperature algorithm enable/disable
53	Digital/Analog model
54	Watchdog toggle
55	Audio delay toggle
56	Set Bravia Model enable/disable
57	MSP Auto Carrier Mute function enable/disable

58	Chip select toggle
59	Visual I2C toggle
65	Set 26" WXGA settings
66	Set 32" WXGA settings
67	Set 37" WXGA settings
71	Auto AGC
72	AM from baseband (AFRIC dem) or fromRF (MSP dem)
73	HDMI number of inputs (0 to 3)
74	DDC enable
75	Set centred balance
76	Set volume to max
77	Set volume to min
78	Set balance full left
79	Set balance full right
81	Digital BER display
82	Digital Service menu
83	Digital colour bar output from DENC
84	TS CI path through
85	Digital tuner power down (Only 1 power cycle,default is no power down)
86	Switch between two digital SW banks
87	Local keys test
88	Digital shipping conditions (Clear tune database)
89	LED test
91	OAD enable/disable toggle
92	TS CI path through with Reed Solomon off
94	Spread spectrum toggle
96	Digital debug output enable/disable
97	Digital 656 output enable/disable
98	Digital auto reset function enable/disable
99	Display error and working time menu

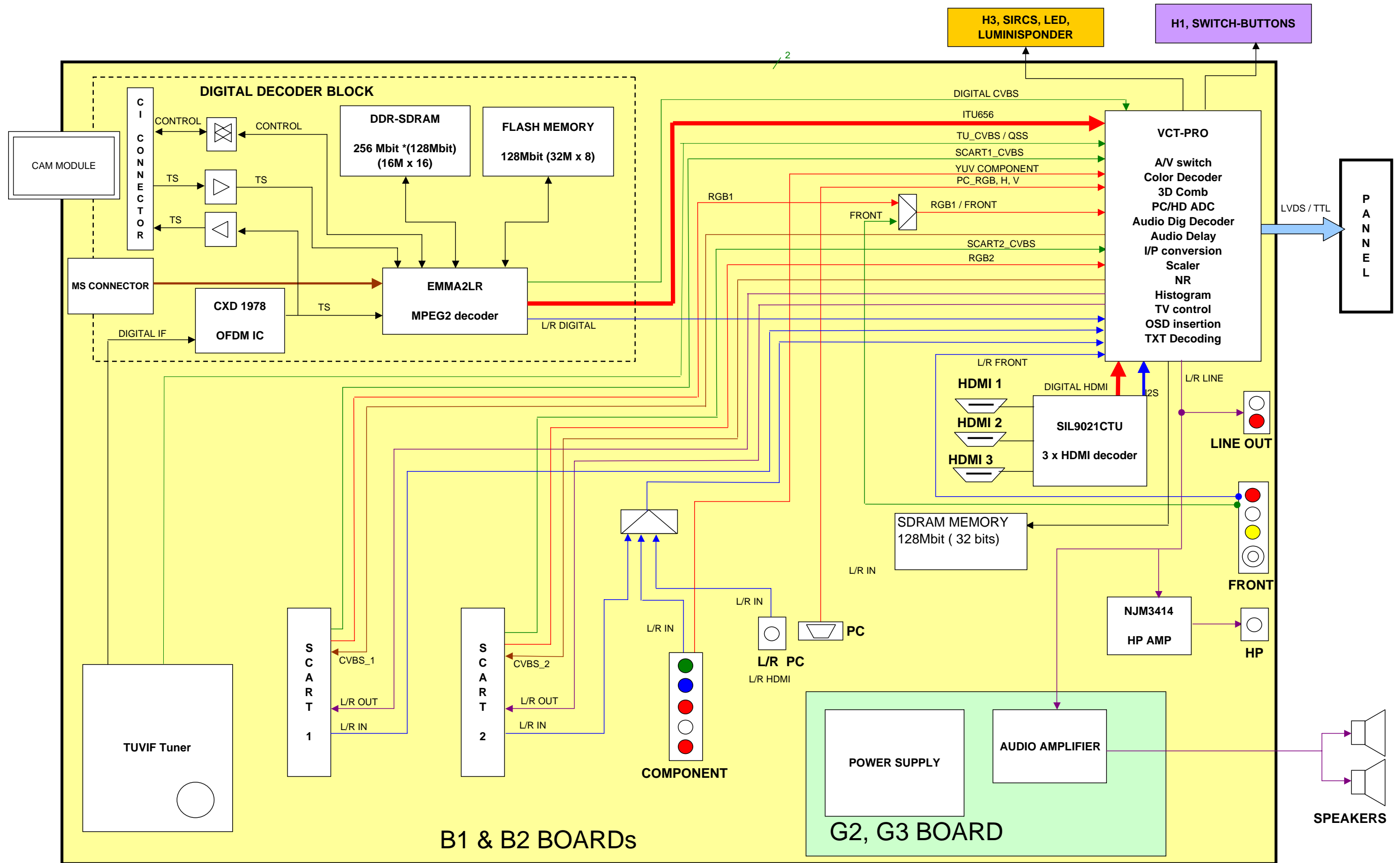
### 3-3. TT OSD Labels

			(1)	3	2	.		D	(2)					T	T	-	-	(3)		
	E	C	S	(4)	C	B	A	(5)	B	(20)	D	(25)			N	o	r	m	(6)	
	D	D	C	(7)	3	(8)	E	(9)	T	(21)	-	(10)	C	(11)	M	(12)	L	(22)	G	(26)
	-	(13)			T	(14)	W	(15)	C	(16)	V	(17)	D	(18)	K	(19)	X	(23)	B	(24)

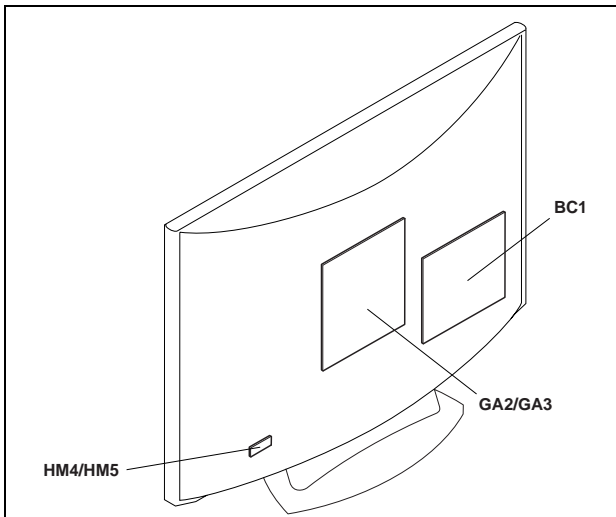
**Key:**

1. Panel size configuration. Changed by TT61...TT68.
2. D/A: D is shown when Digital mode is enabled; A is shown when Analogue mode is enabled. Changed by TT53.
3. TT-- Command prompt.
4. ECS/---: ECS enabled/disabled (TT31).
5. CBA/---: CBA is shown when the TV set is in CBA mode (This mode is available from Factory mode TT19). Changed by TT27.
6. Norm/Fact: Normal or Factory mode. Changed by TT19.
7. DDC/---: DDC enabled/disabled. Changed by TT74.
8. 3/2/1/0: 3, 2, 1, or 0 HDMI inputs toggle. Changed by TT73.
9. E/-: E is shown when EDID WP is enabled; - is shown otherwise. Changed by TT33.
10. N/A: Previously used to indicate Monitor, Hotel, or Otrum mode is enabled.
11. C/-: C (Default value) is shown when MSP Auto Carrier Mute function is enabled; - is shown otherwise. Changed by TT57.
12. M/A: M (Default value) is shown when AM sound is demodulated in MSP; A is shown when AFRIC demodulator is used. Changed by TT72.
13. N/A: Previously used to indicate Clk enabled.
14. T/-: T is shown when digital test is enabled; - is shown otherwise. Changed by TT39.
15. W/-: W is shown when watchdog is enabled; - is shown otherwise. Changed by TT54.
16. C/-: C is shown when chip select is enabled; - is shown instead. This mode is only available in factory mode. Changed by TT58.
17. V/-: V is shown when visual I2C is enabled; - is shown otherwise. Changed by TT59.
18. D/-: D is shown when audio delay is enabled; - is shown otherwise. Changed by TT55.
19. K/-: K is shown when spread spectrum is enabled; - is shown otherwise. Changed by TT94.
20. B/-: B is shown for BRAVIA models; -is shown otherwise. This mode is only available in factory mode. Changed by TT56.
21. T/-: T is shown if temperature algorithm is enabled; - is shown otherwise. Changed by TT52.
22. L/-: L is shown when HDMI log is enabled; - is shown otherwise. Changed by TT34.
23. X/-: X is shown when teletext is centered (Default value); - is shown otherwise. Changed by TT14.
24. B/-: B is shown when SuperBlack algorithm is enabled; - is shown otherwise. Changed by TT51.
25. D/-: D is shown when Panel detection is enabled; - is shown otherwise. Changed by TT21.
26. G/-: G is shown when Gamma correction is enabled; - is shown otherwise. Changed by TT36.

4-1. BLOCK DIAGRAM



## 4-2. CIRCUIT BOARD LOCATION









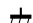


## 4-3. SCHEMATIC DIAGRAMS AND PRINTED WIRING BOARDS


### Note :

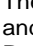
- All capacitors are in  $\mu\text{F}$  unless otherwise noted.
- $\text{pF}$  :  $\mu\text{F}$  50WV or less are not indicated except for electrolytic types.
- Indication of resistance, which does not have one for rating electrical power, is as follows.

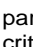
Pitch : 5mm  
Electrical power rating : 1/4W


- Chip resistors are 1/10W
- All resistors are in ohms.  
k = 1000 ohms, M = 1000,000 ohms
-  : nonflammable resistor.
-  : fusible resistor.
-  : internal component.
-  : panel designation or adjustment for repair.
- All variable and adjustable resistors have characteristic curve B, unless otherwise noted.
- All voltages are in Volts.
- Readings are taken with a 10Mohm digital mutimeter.
- Readings are taken with a color bar input signal.
- Voltage variations may be noted due to normal production tolerances.
-  : B + bus.
-  : B - bus.
-  : RF signal path.
-  : earth - ground.
-  : earth - chassis.

## Reference Information

RESISTOR	RN	: METAL FILM
	RC	: SOLID
	FPRD	: NON FLAMMABLE CARBON
	FUSE	: NON FLAMMABLE FUSIBLE
	RS	: NON FLAMMABLE METAL OXIDE
	RB	: NON FLAMMABLE CEMENT
	RW	: NON FLAMMABLE WIREWOUND
		: ADJUSTMENT RESISTOR
COIL	LF-8L	: MICRO INDUCTOR
CAPACITOR	TA	: TANTALUM
	PS	: STYROL
	PP	: POLYPROPYLENE
	PT	: MYLAR
	MPS	: METALIZED POLYESTER
	MPP	: METALIZED POLYPROPYLENE
	ALB	: BIPOLAR
	ALT	: HIGH TEMPERATURE
	ALR	: HIGH RIPPLE

**Note :** The components identified by shading and marked  are critical for safety. Replace only with the part numbers specified in the parts list.

**Note :** Les composants identifiés par une trame et par une marque  sont d'une importance critique pour la sécurité. Ne les remplacer que par des pièces de numéro spécifié.

**Note :** The components identified by mark  contain confidential information. Strictly follow the instructions whenever the components are repaired and/or replaced.

**Note:** Schematic diagrams are for reference only. Please refer to the electrical parts list for the correct value and part number of components.





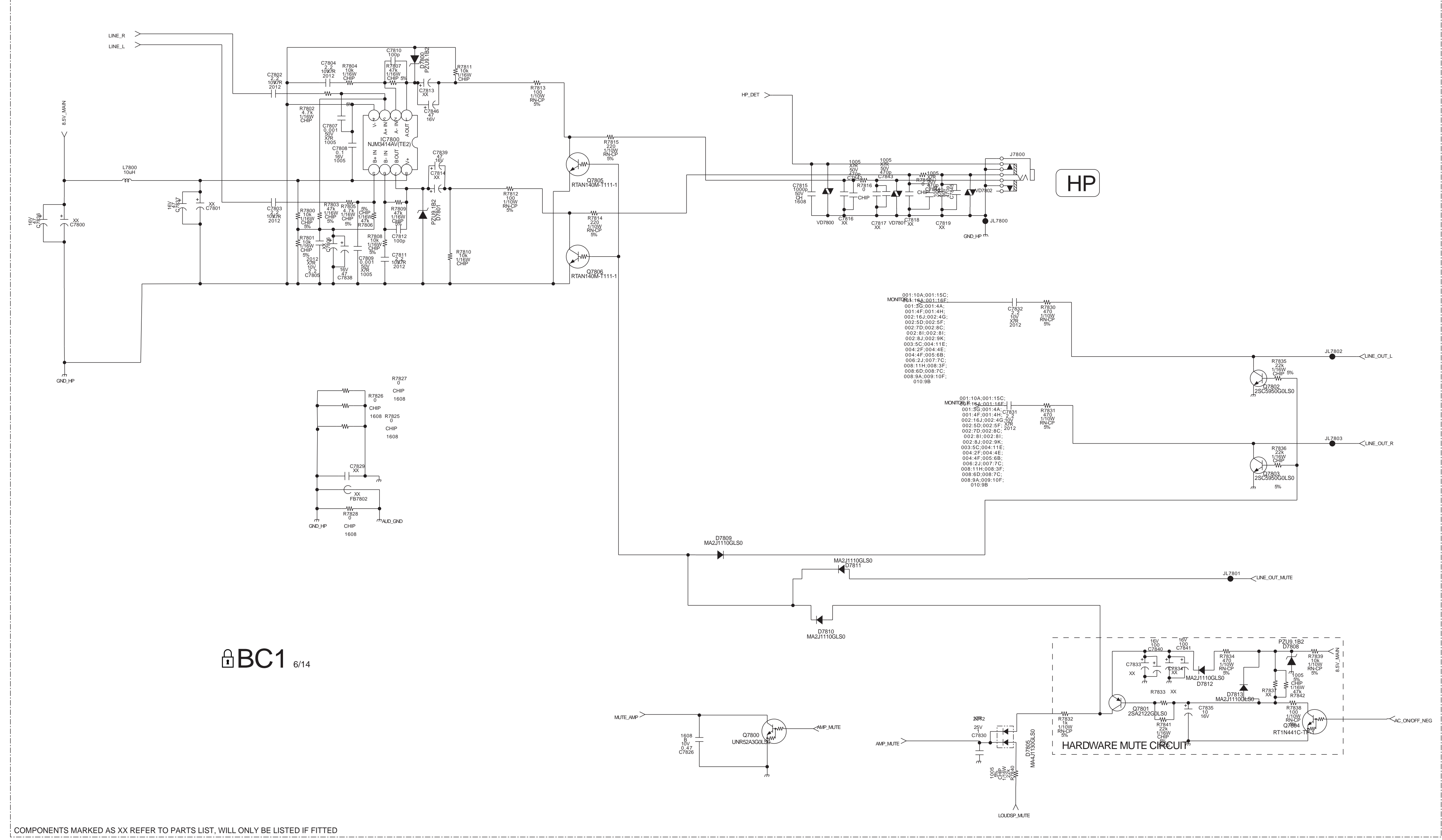








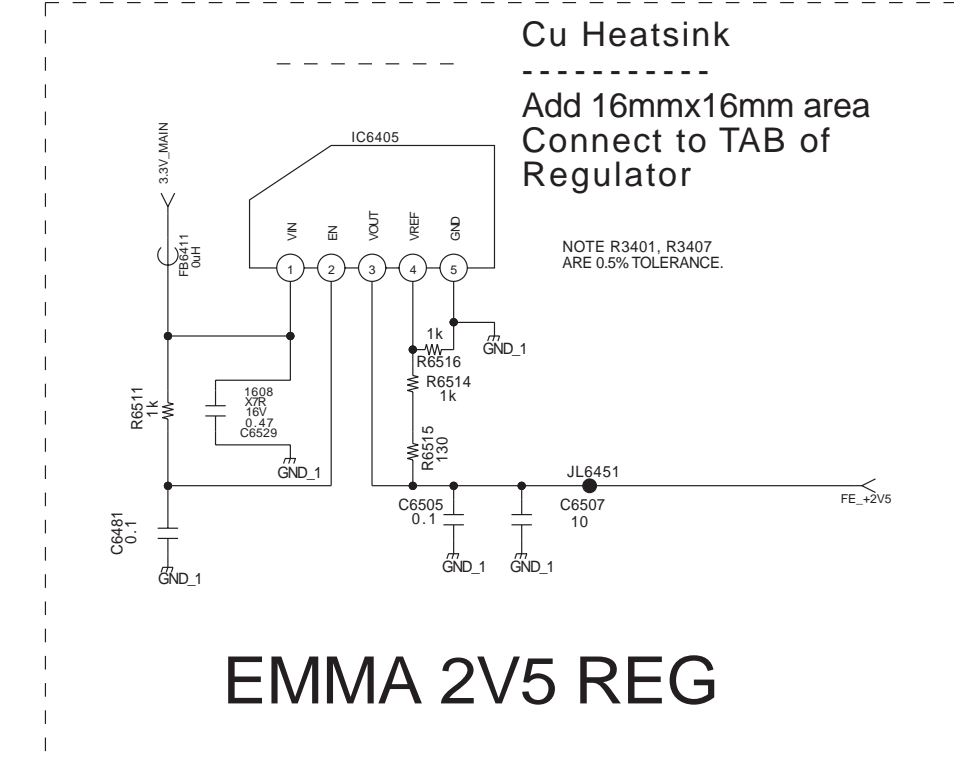
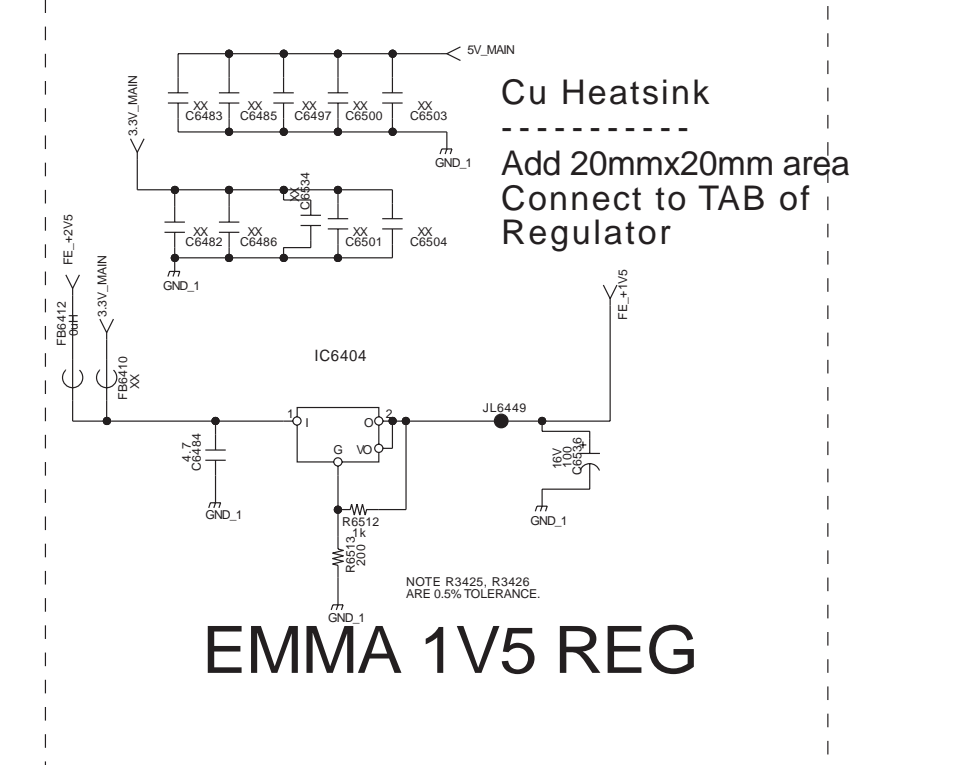
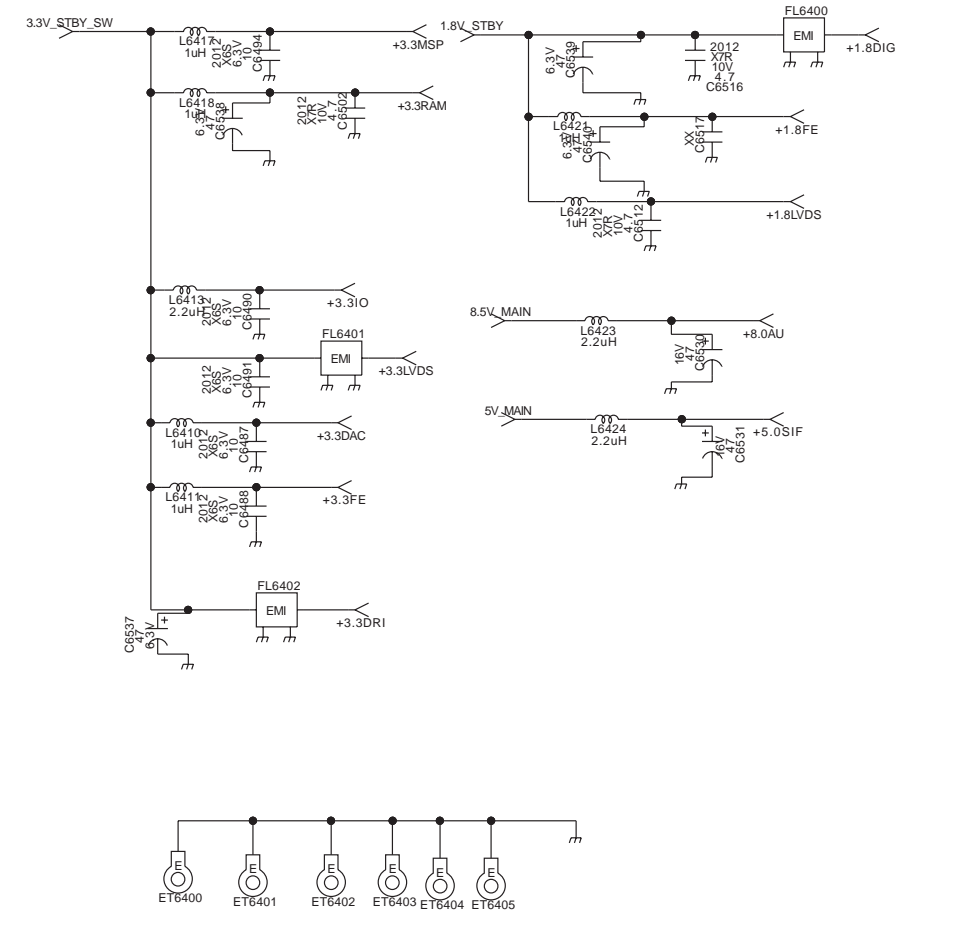
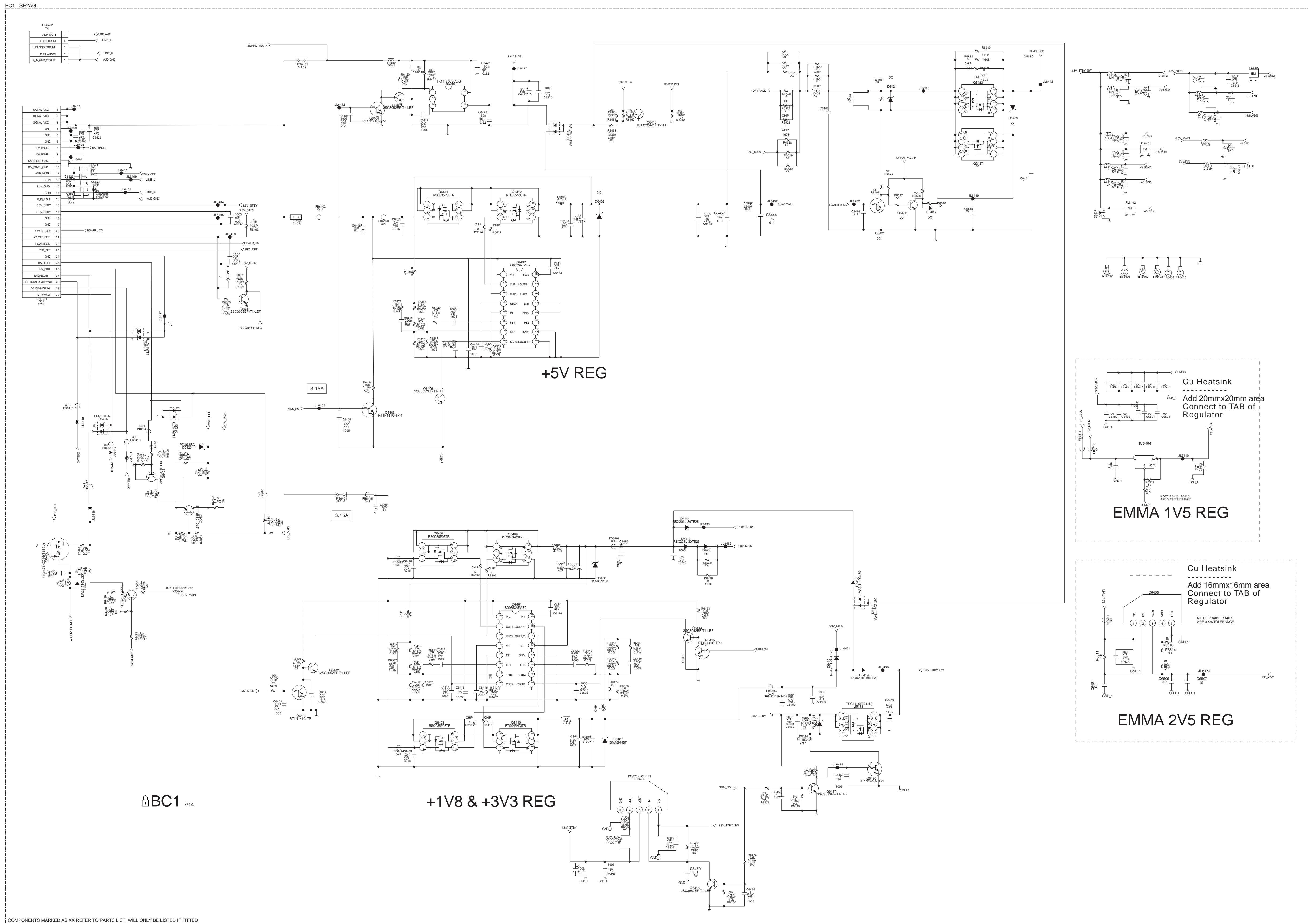
BC1 - SE2AG



BC1 6/14

COMPONENTS MARKED AS XX REFER TO PARTS LIST. WILL ONLY BE LISTED IF FITTED



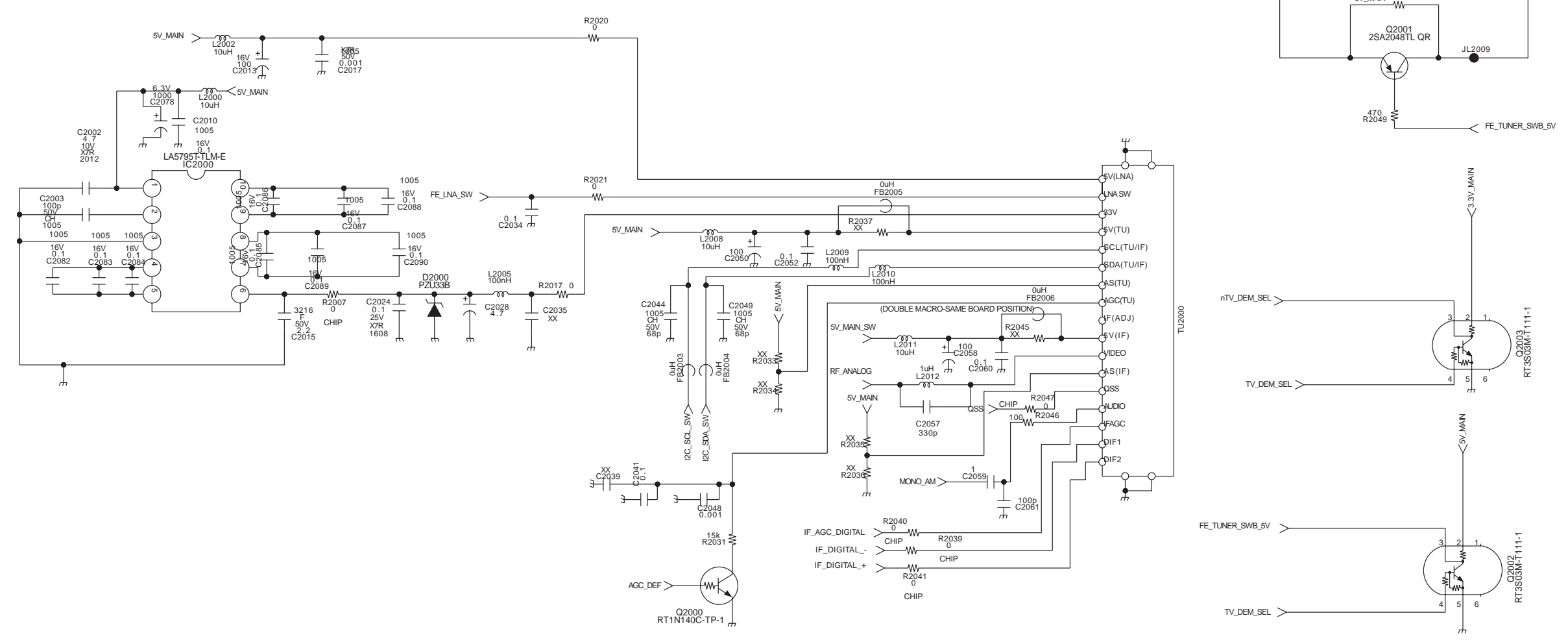


BC1 7/14

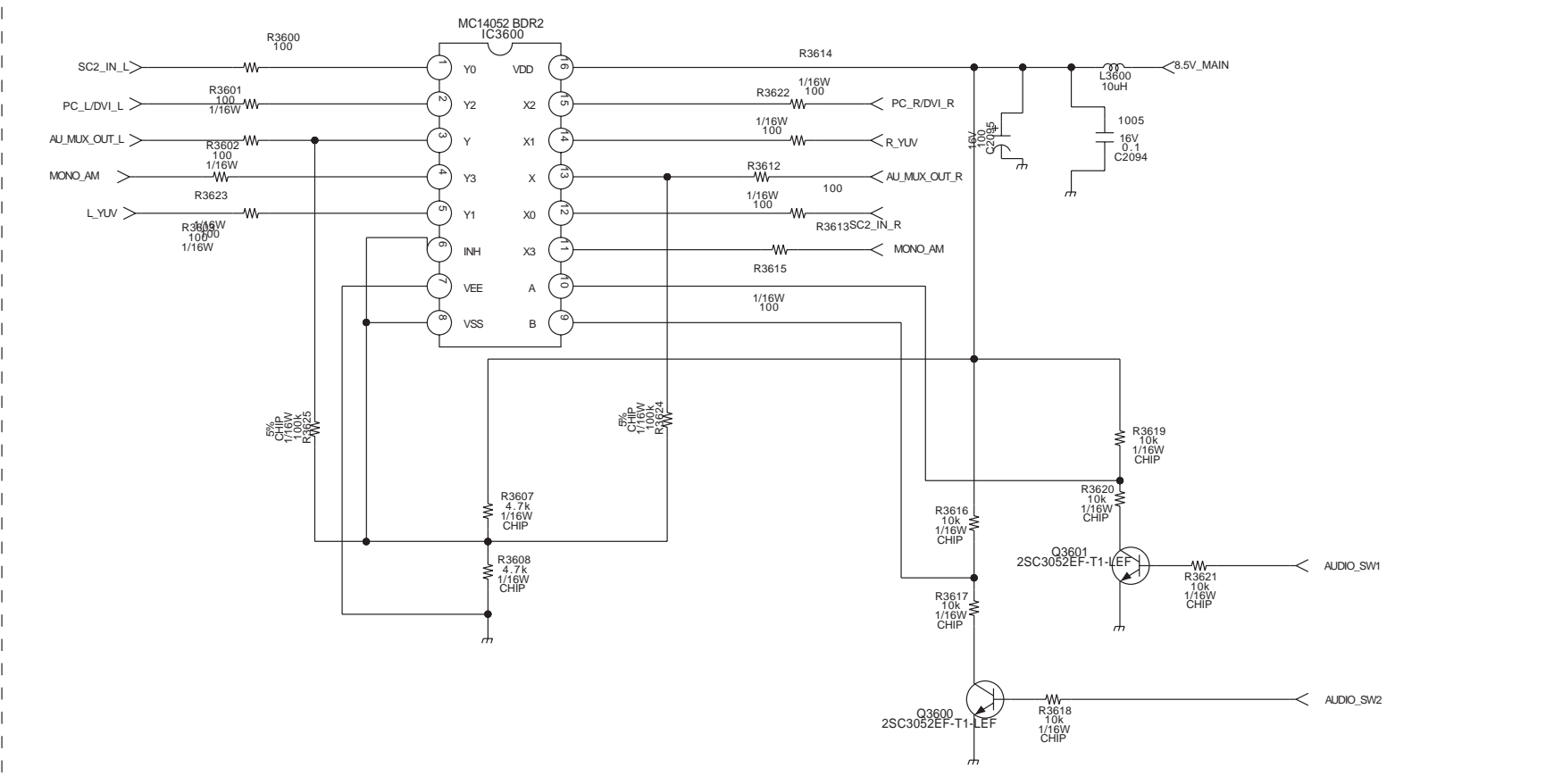
COMPONENTS MARKED AS XX REFER TO PARTS LIST. WILL ONLY BE LISTED IF FITTED

BC1 - SE2AG

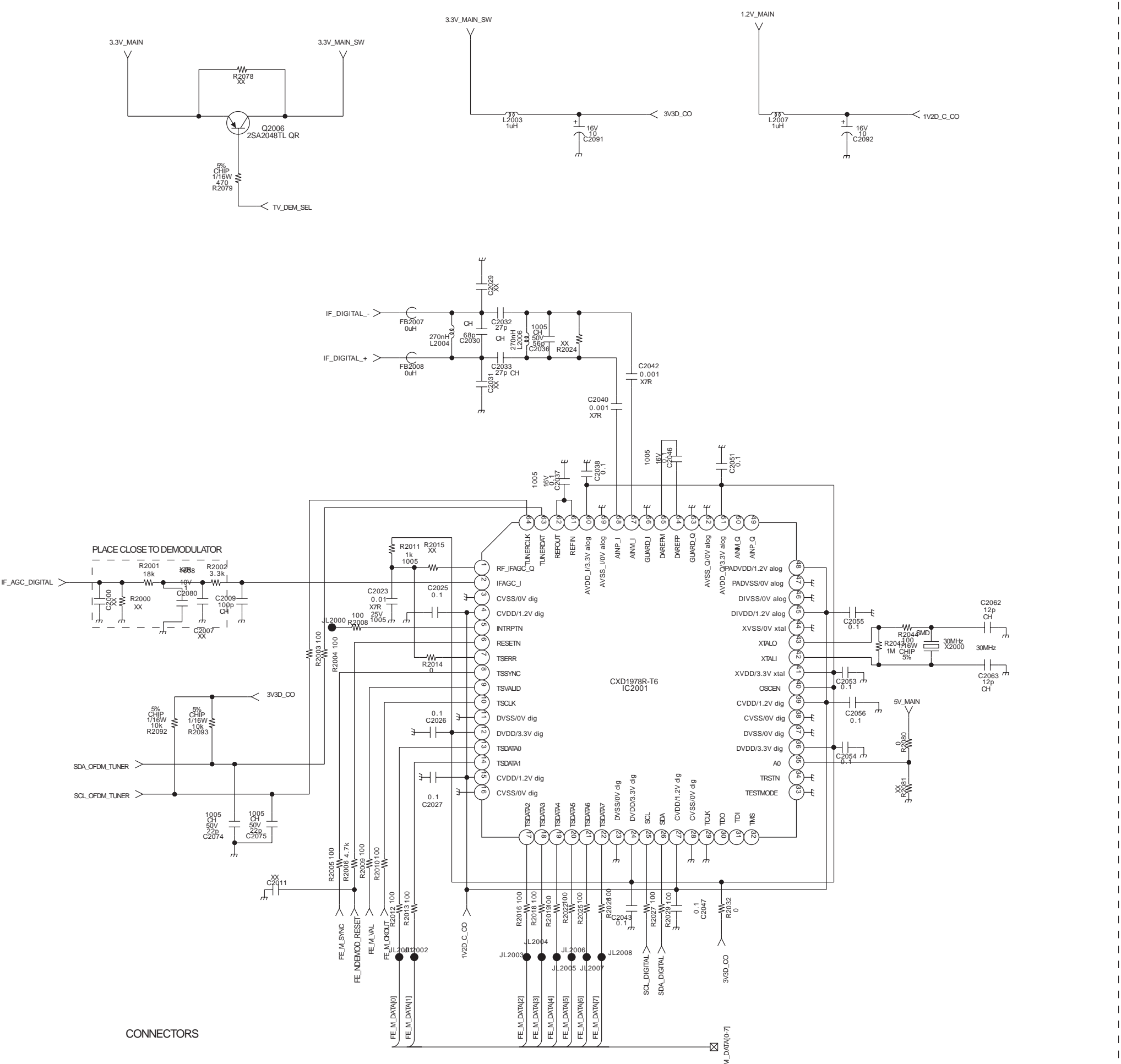
### TUNER BLOCK



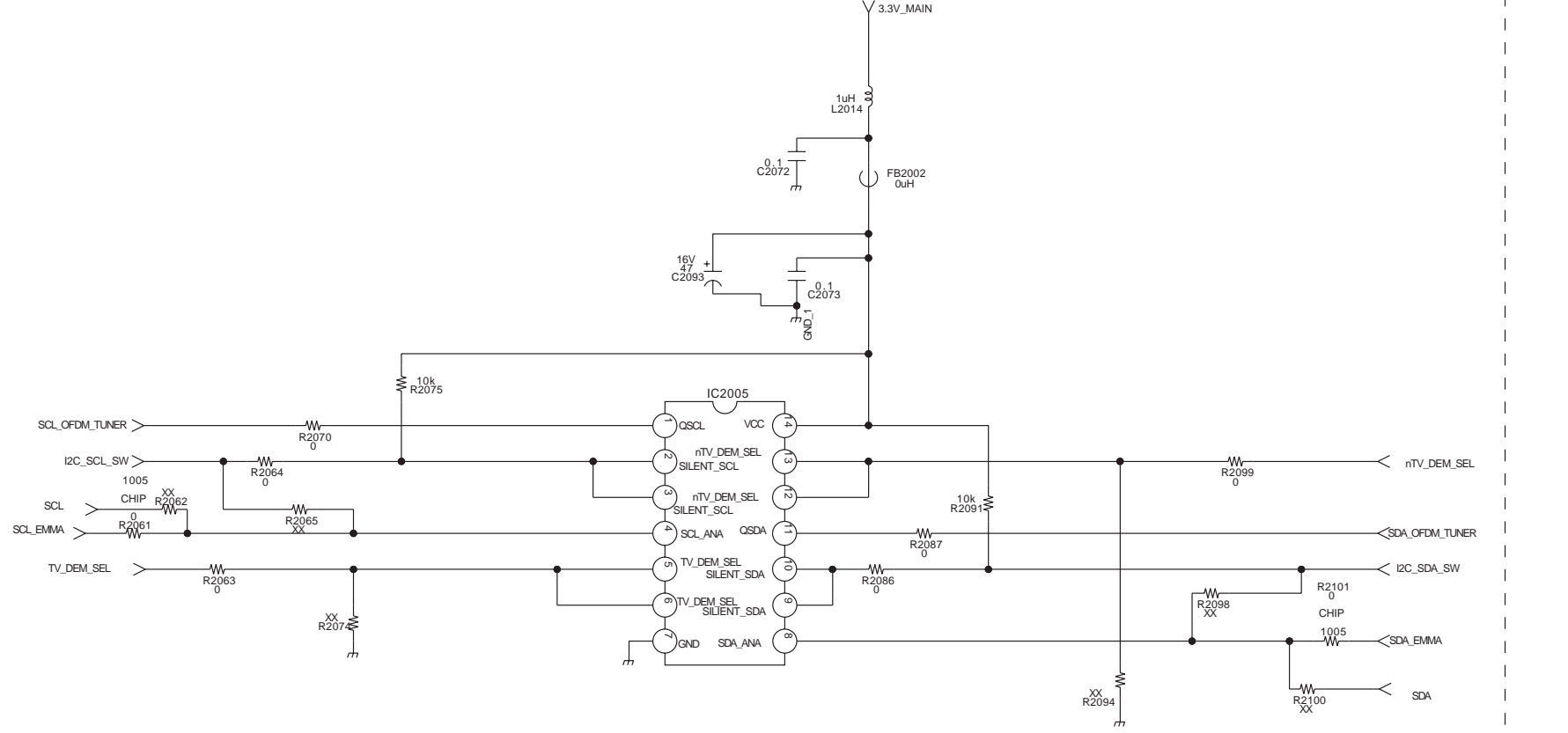
### AUDIO SWITCH (PC,Component,Scart2,DVI)



### CXD1978R (COFDM AND QAM DEMODULATOR BLOCK)



### I2C TUNER SWITCH (analog/digital)



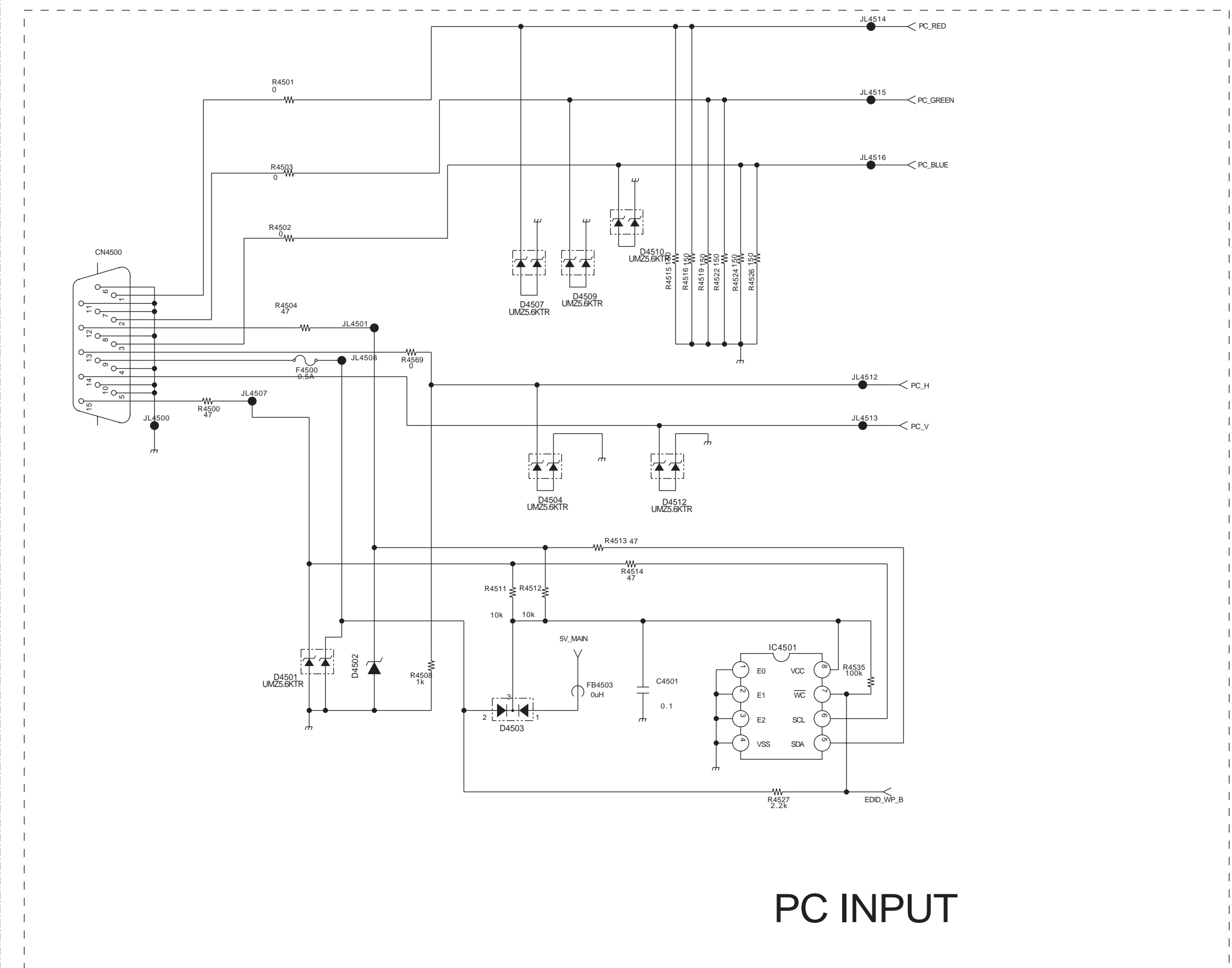
BC1 8/14

COMPONENTS MARKED AS XX REFER TO PARTS LIST, WILL ONLY BE LISTED IF FITTED

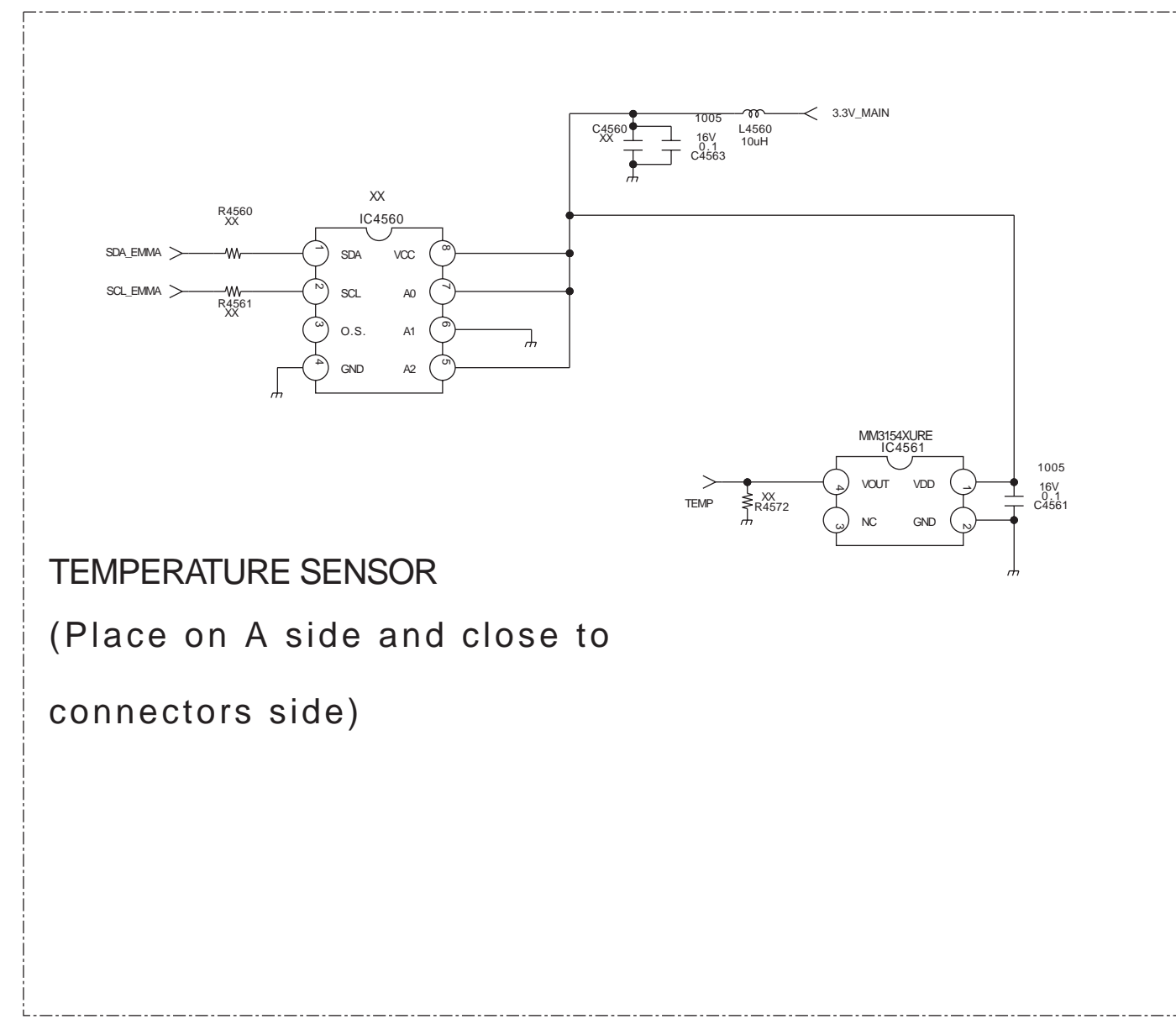






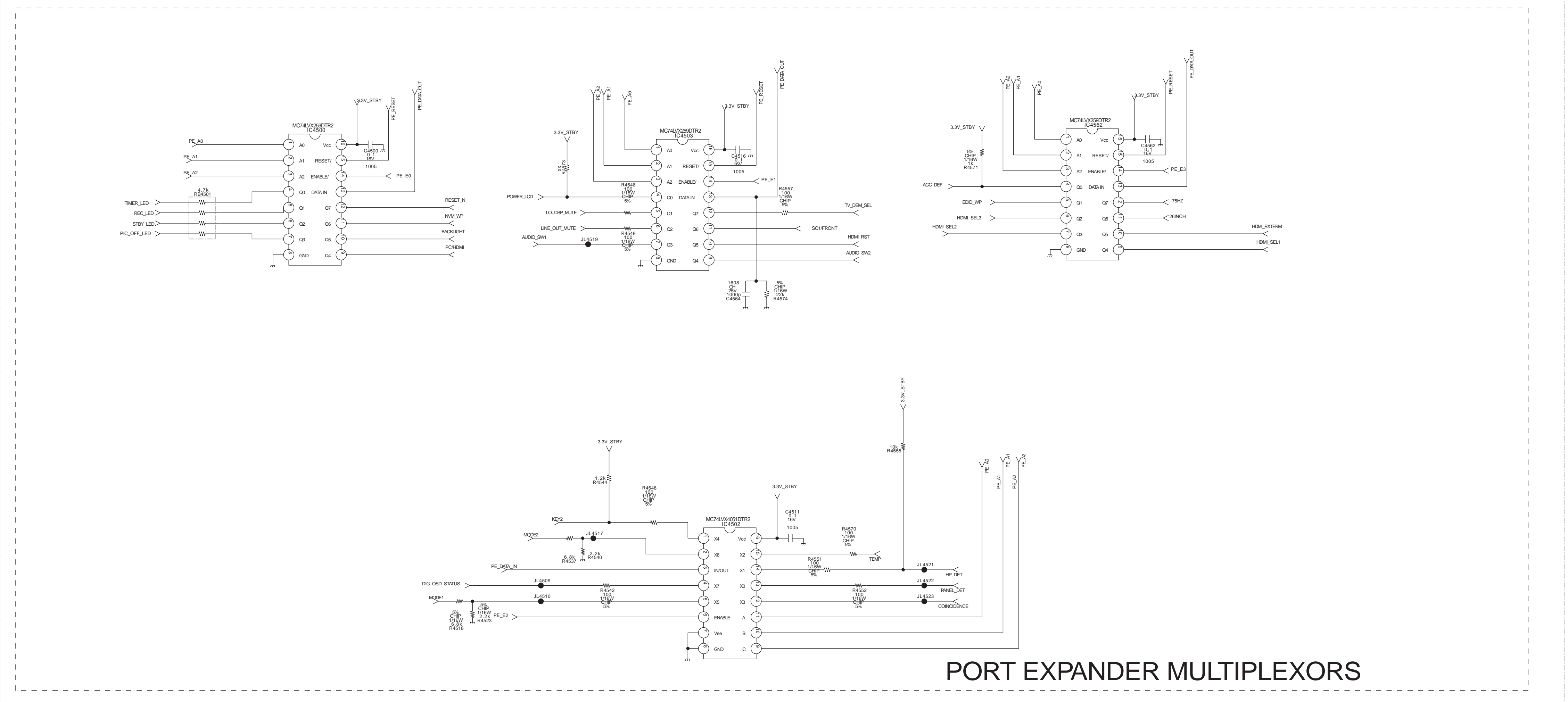


PC INPUT



TEMPERATURE SENSOR  
(Place on A side and close to connectors side)

BC1 10/14

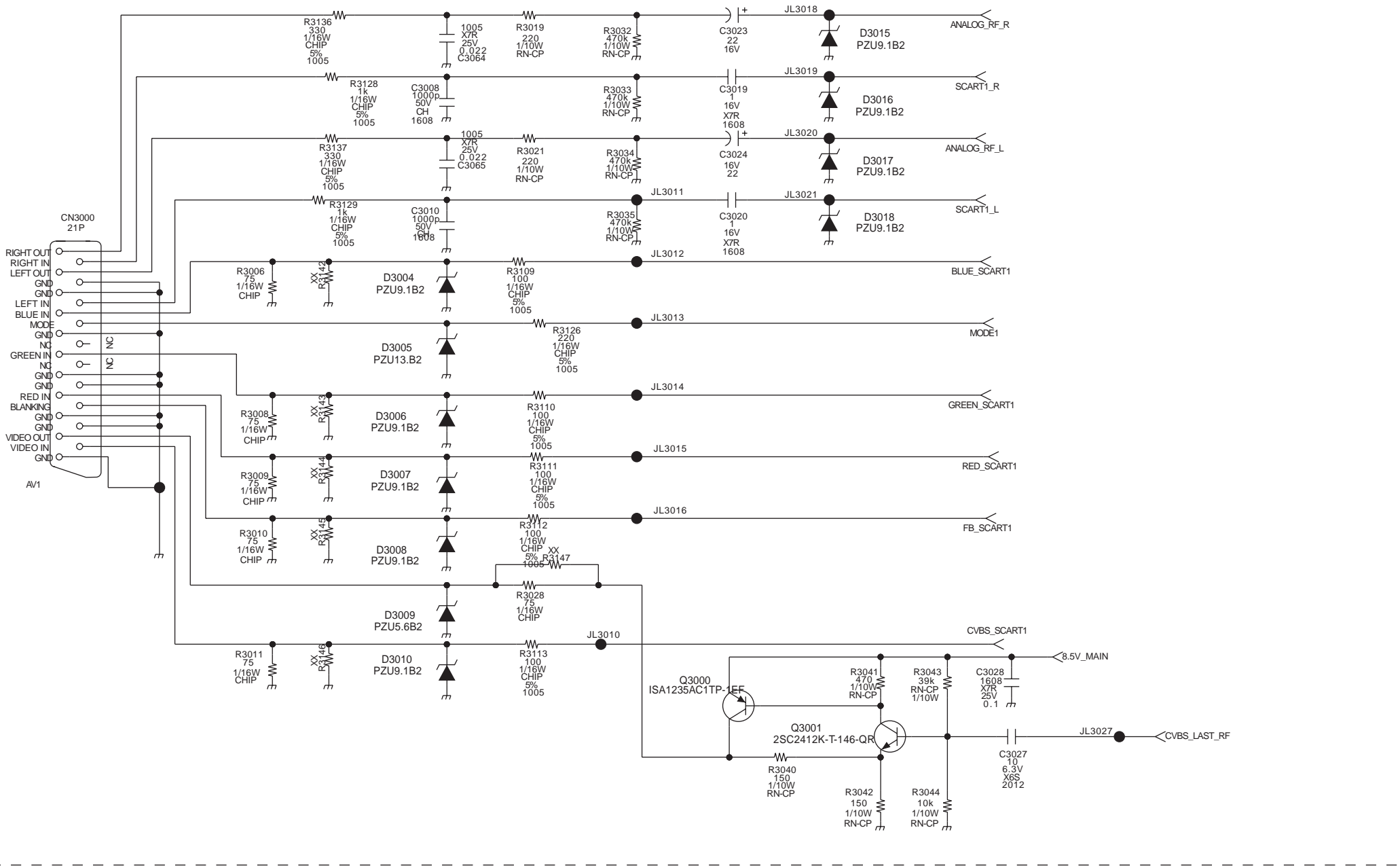


PORT EXPANDER MULTIPLEXORS

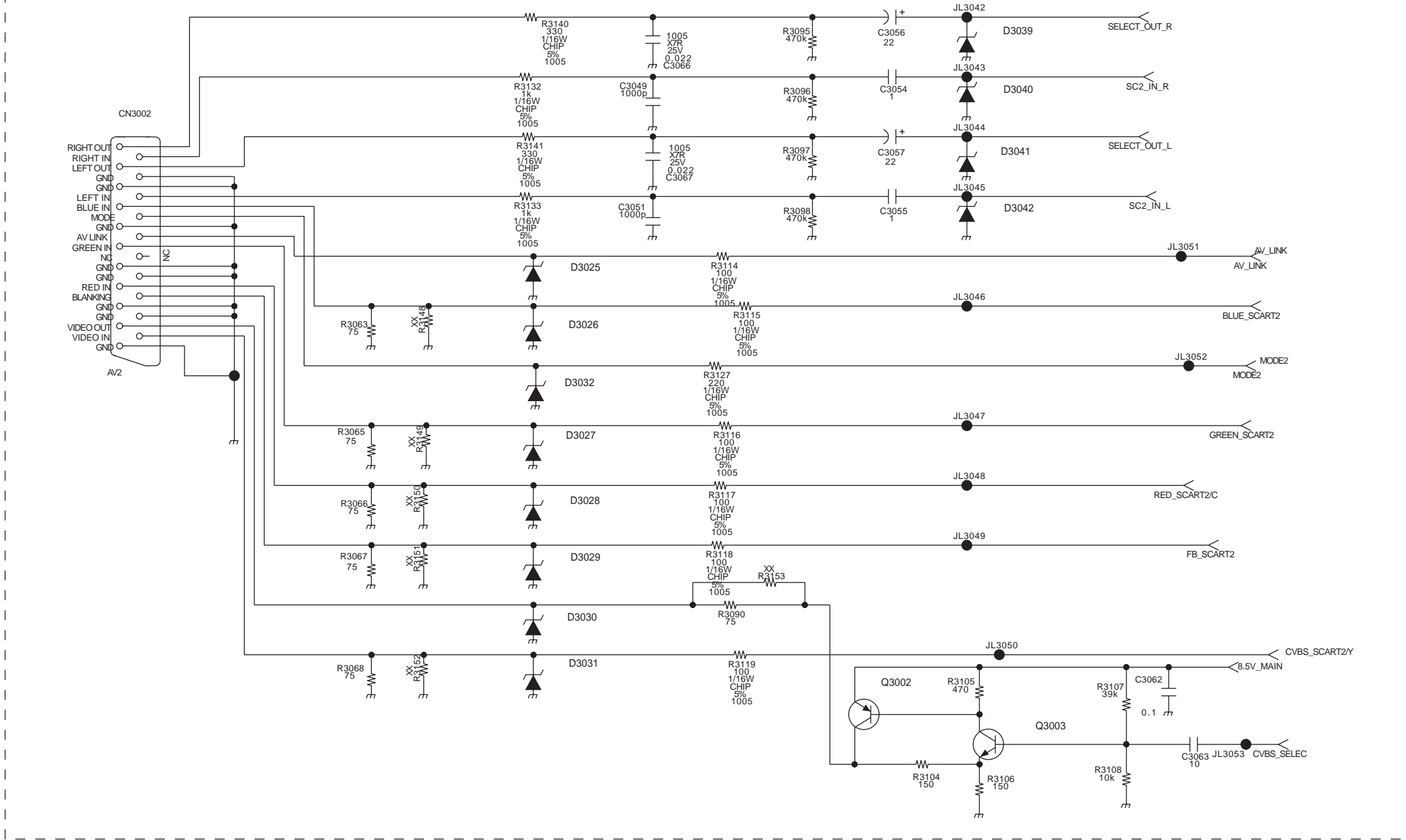
COMPONENTS MARKED AS XX REFER TO PARTS LIST. WILL ONLY BE LISTED IF FITTED

BC1 - SE2AG

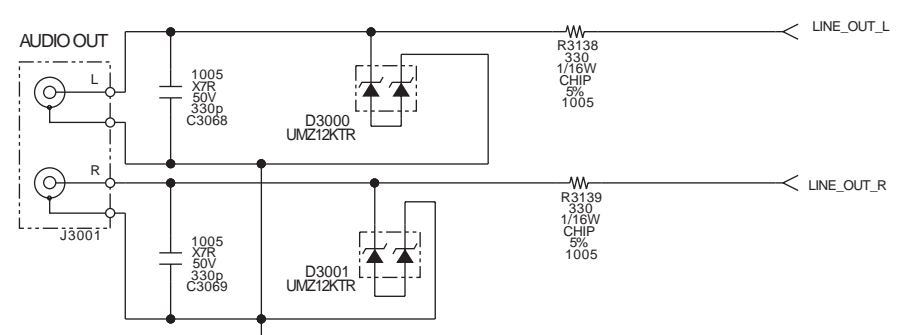
### SCART1



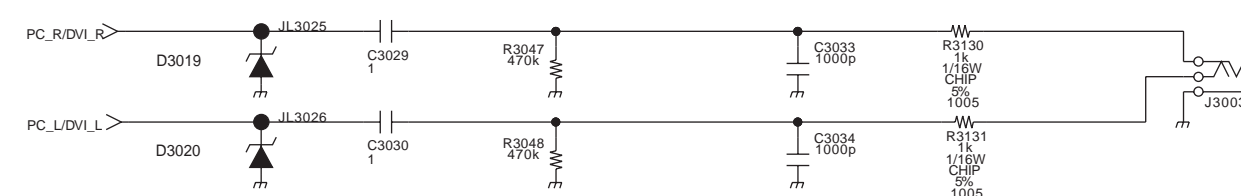
### SCART2



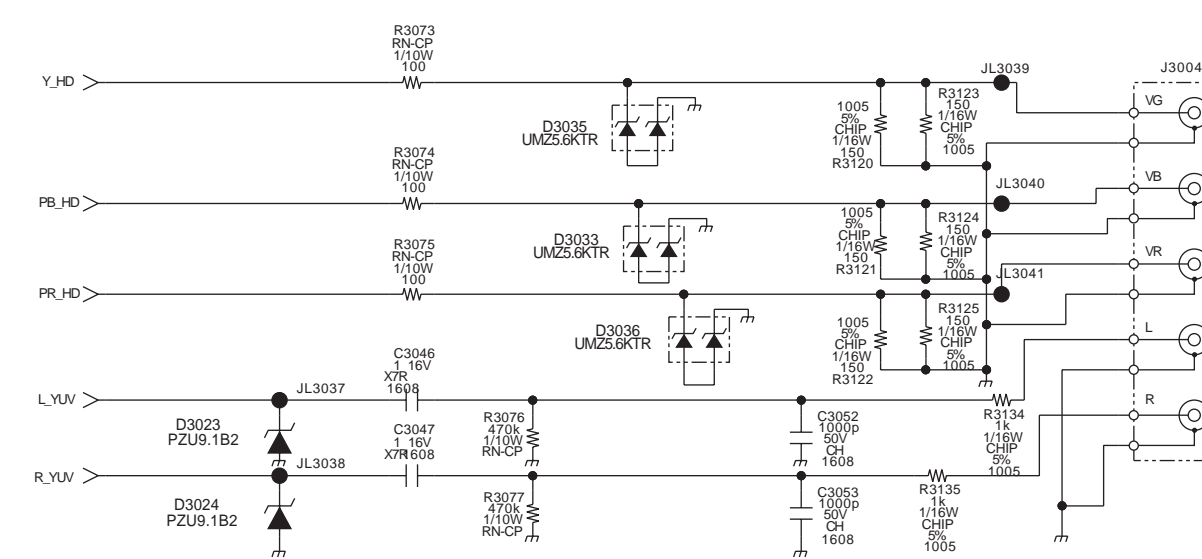
### LINE OUT



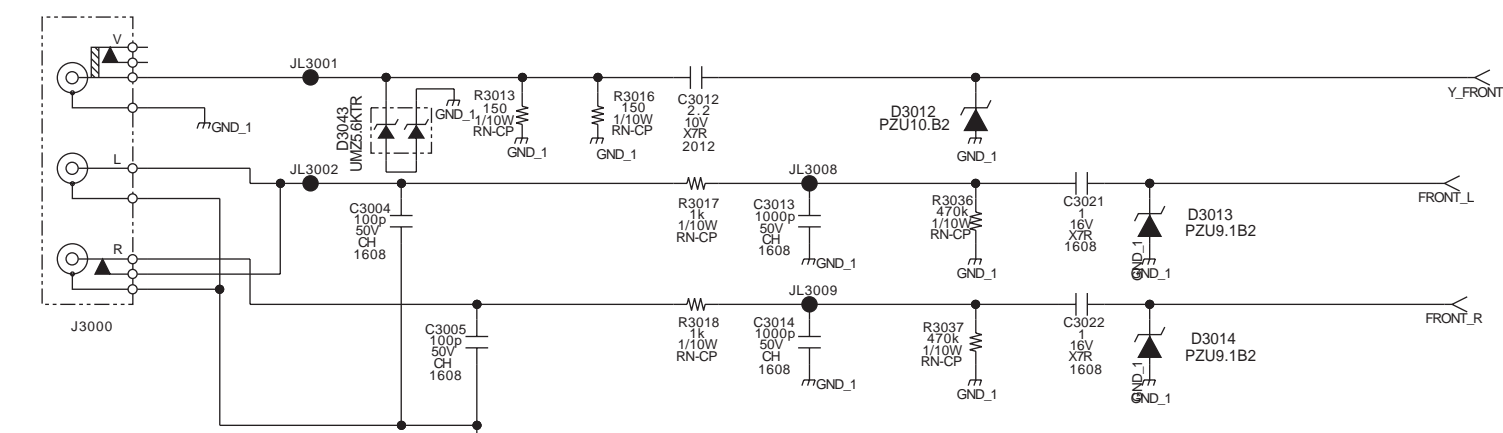
### DVI/PC AUDIO INPUT



### COMPONENT INPUT



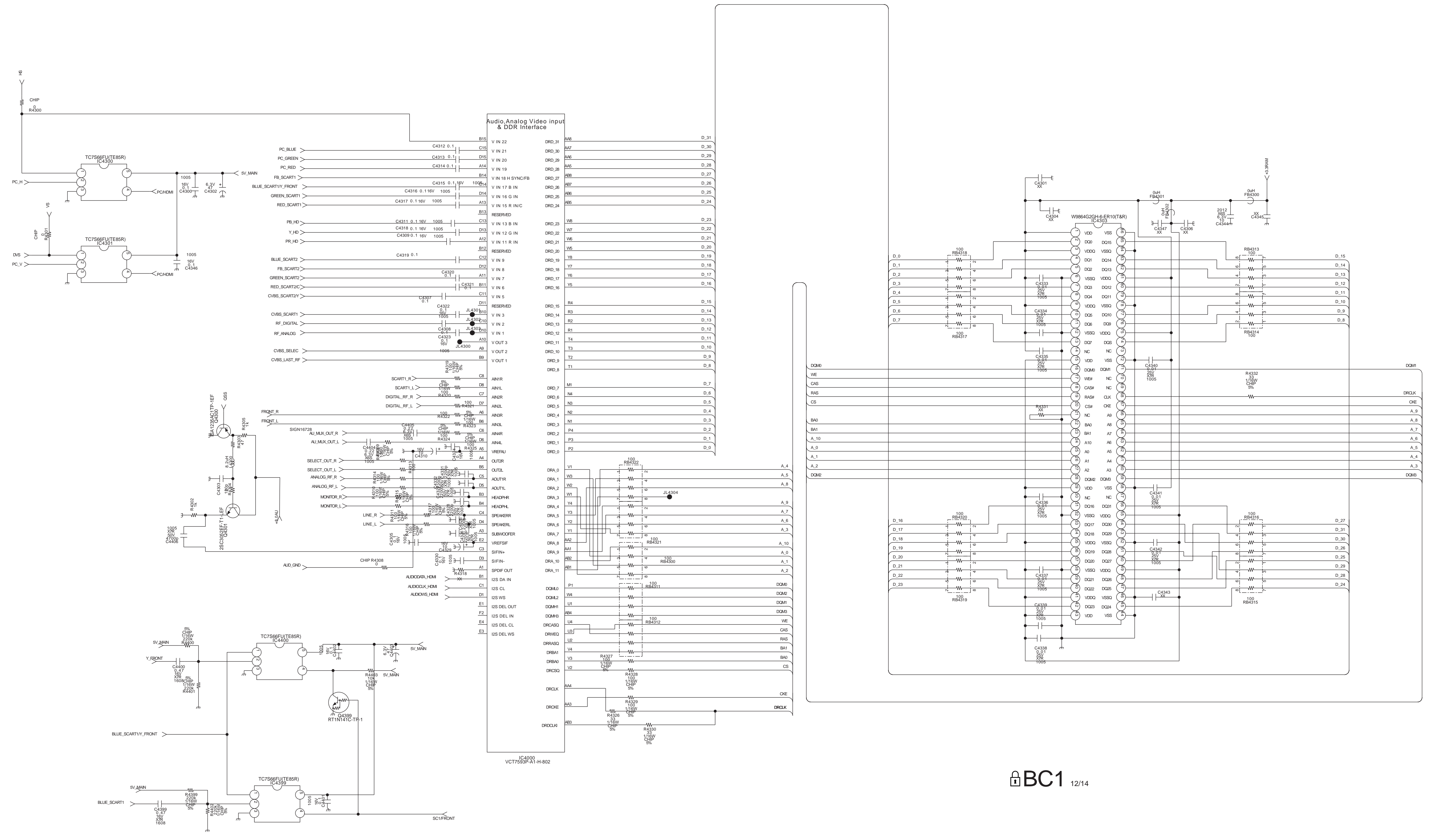
### LATERAL AV CONNECTOR



BC1 11/14

COMPONENTS MARKED AS XX REFER TO PARTS LIST, WILL ONLY BE LISTED IF FITTED

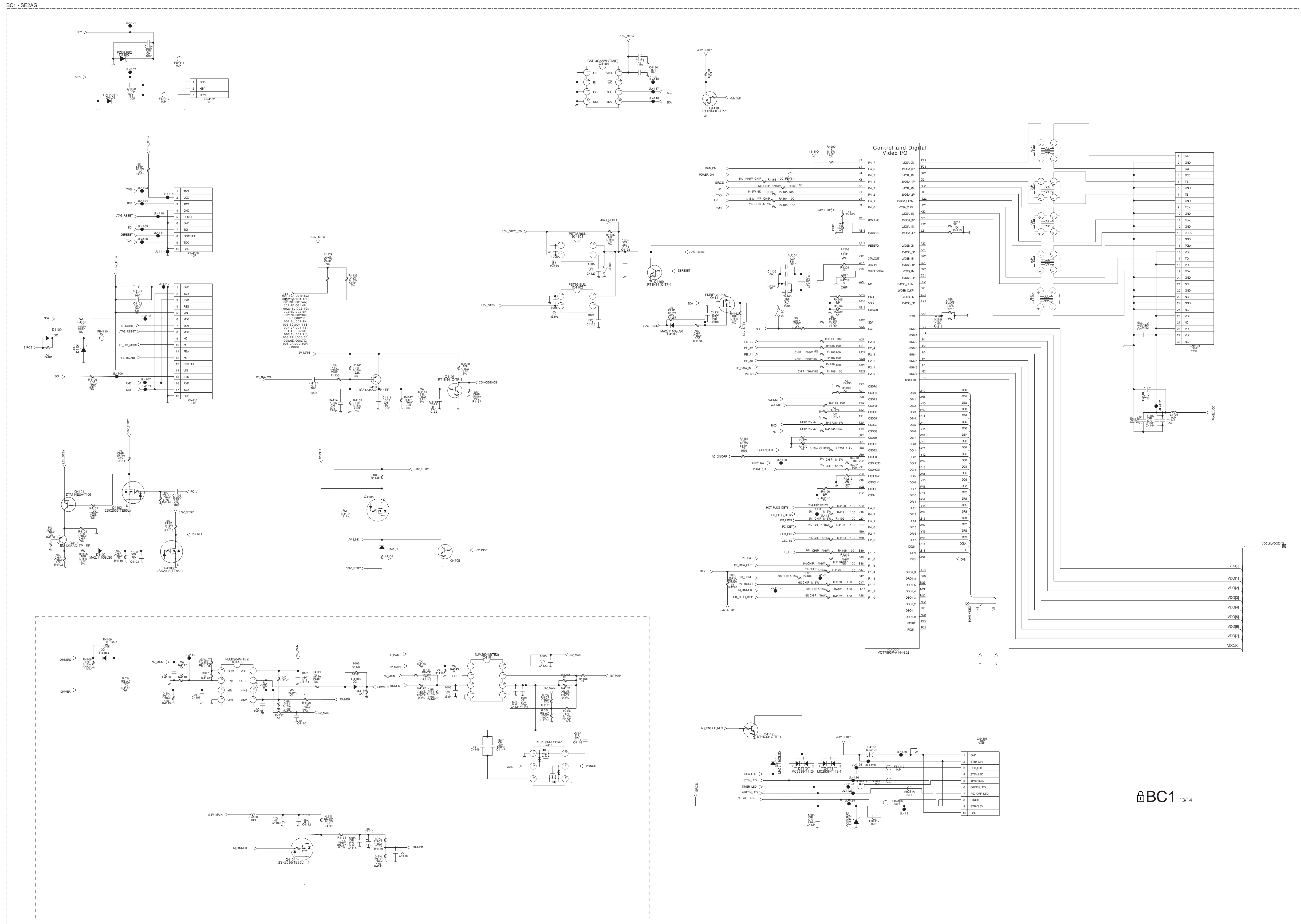
BC1 - SE2AG



BC1 12/14

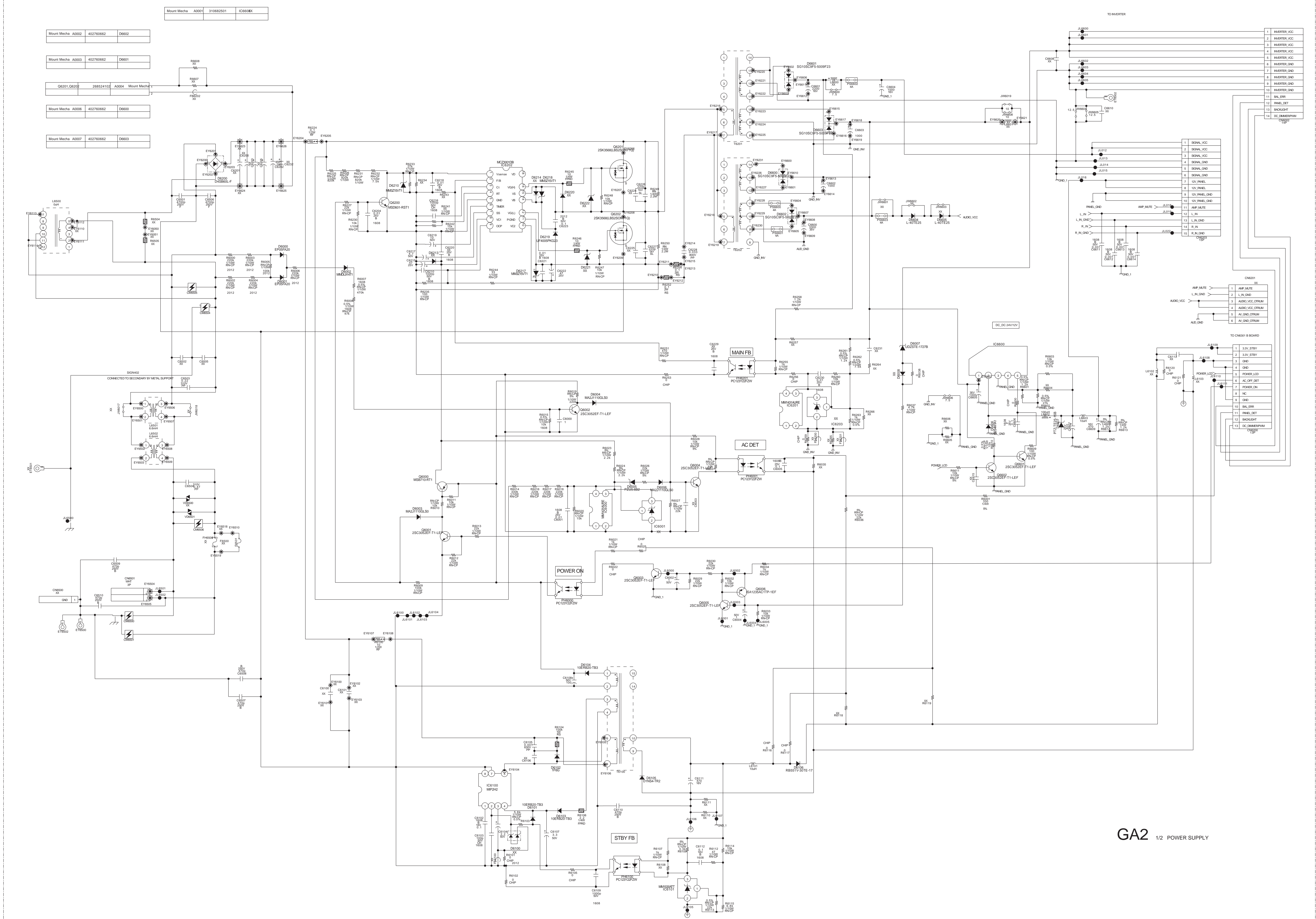
COMPONENTS MARKED AS XX REFER TO PARTS LIST, WILL ONLY BE LISTED IF FITTED







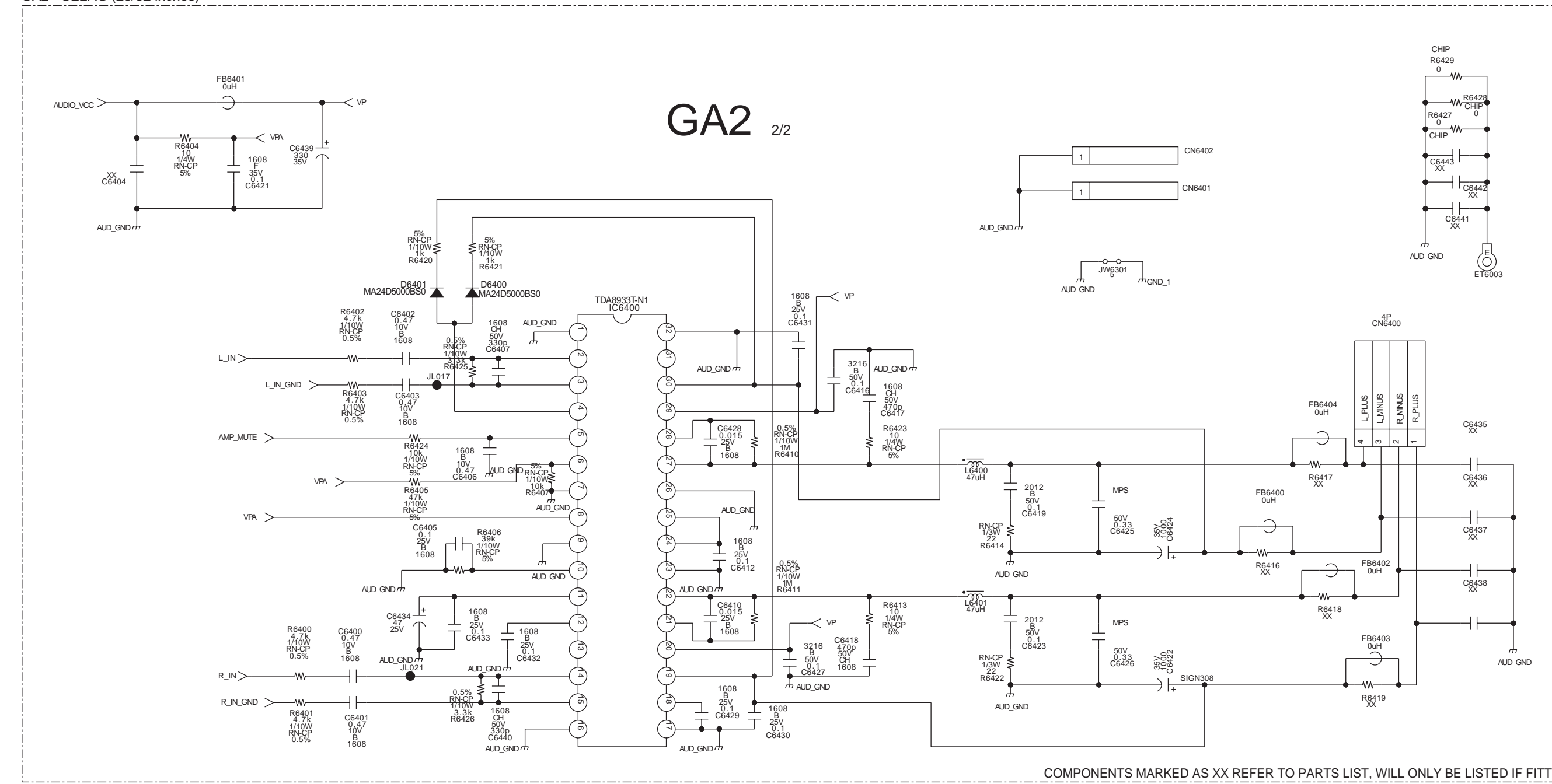




GA2 1/2 POWER SUPPLY

COMPONENTS MARKED AS XX REFER TO PARTS LIST. WILL ONLY BE LISTED IF FITTED

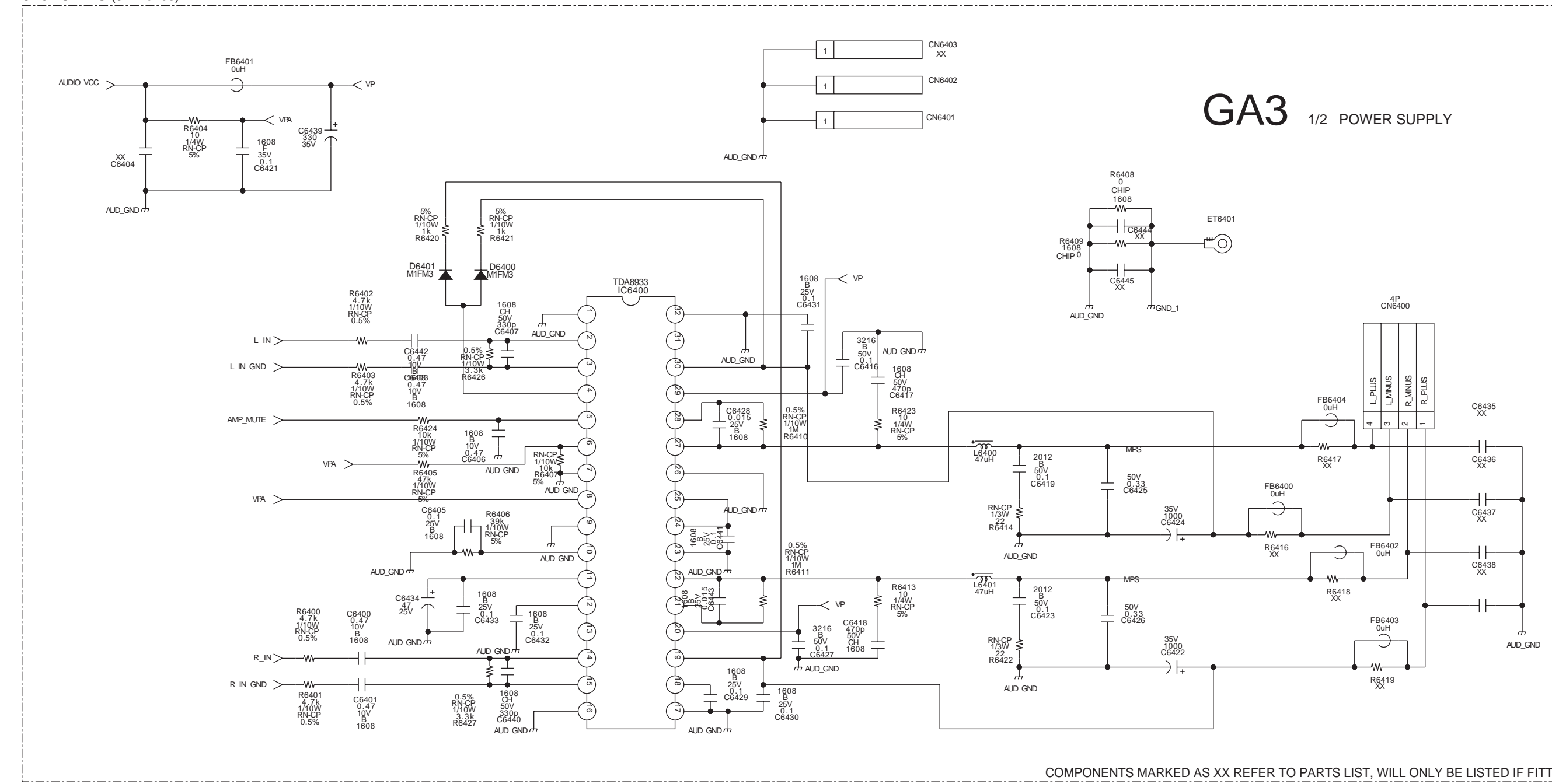
GA2 - SE2AG (26/32 inches)



COMPONENTS MARKED AS XX REFER TO PARTS LIST, WILL ONLY BE LISTED IF FITTED

- GA2 Board Schematic Diagram [ Power Supply ] Page 2/2 -

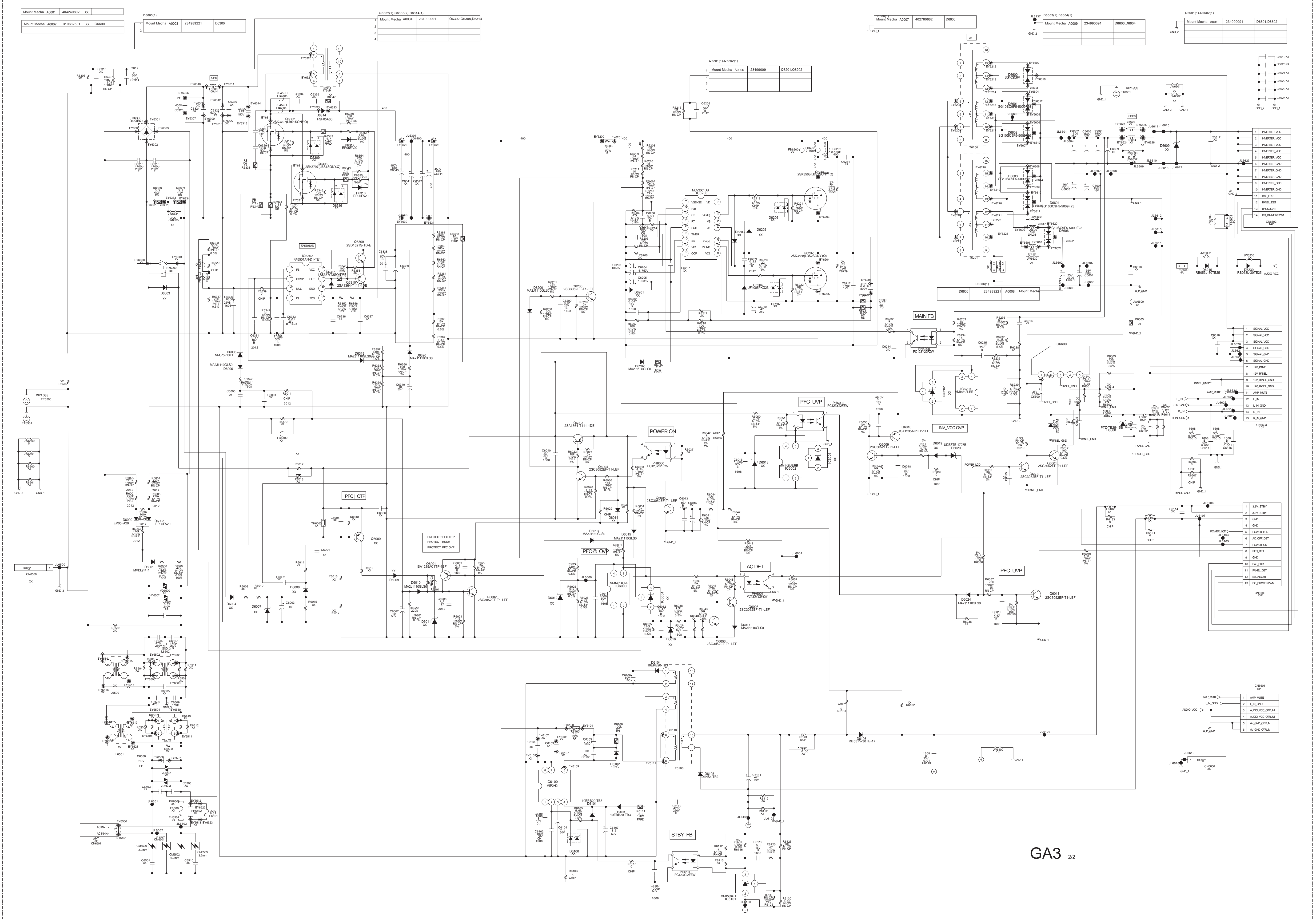
GA3 - SE2AG (37 inches)



COMPONENTS MARKED AS XX REFER TO PARTS LIST, WILL ONLY BE LISTED IF FITTED

- GA3 Board Schematic Diagram [ Power Supply ] Page 1/2 -



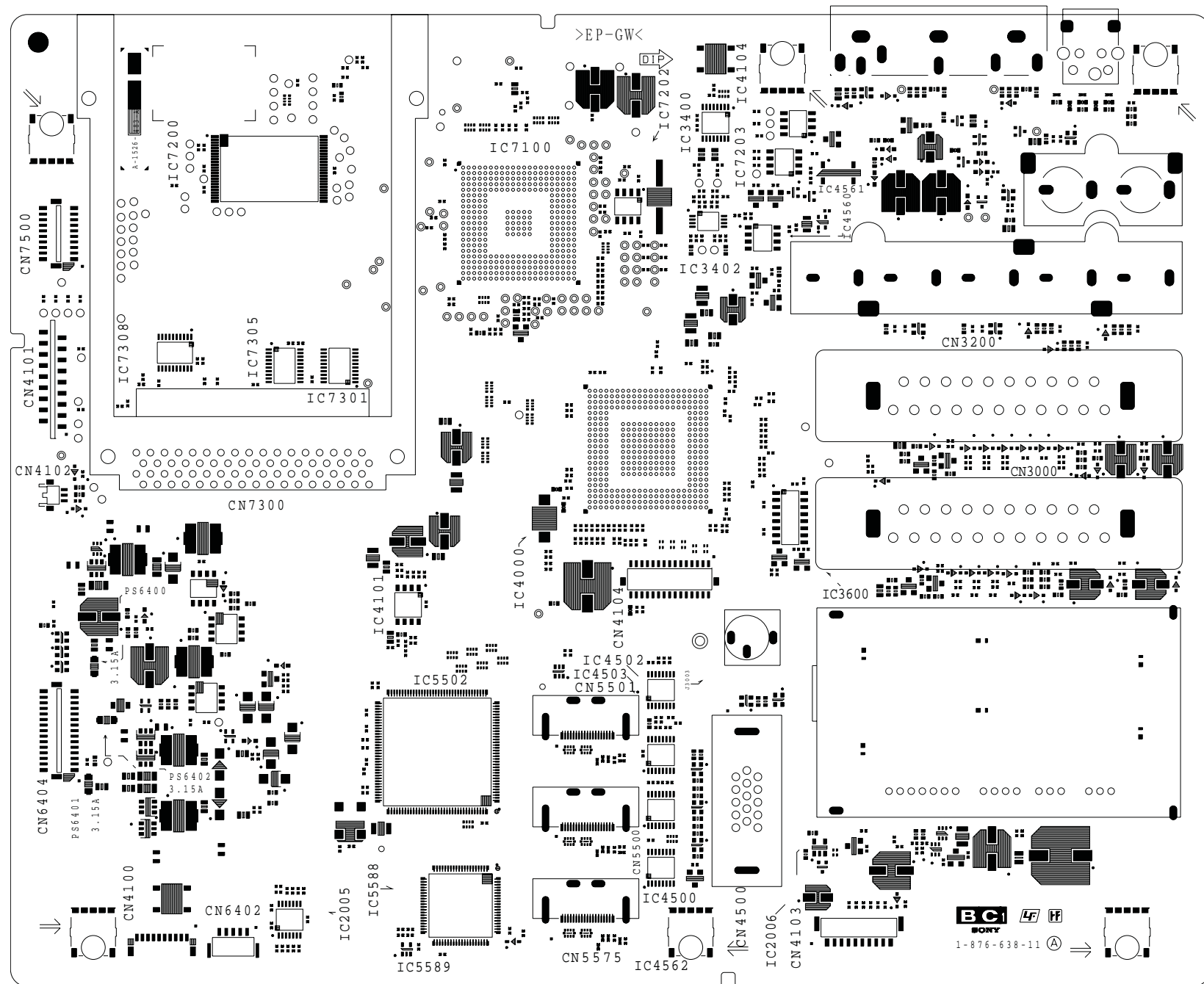


GA3 22

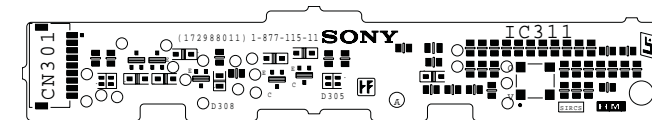
COMPONENTS MARKED AS XX REFER TO PARTS LIST, WILL ONLY BE LISTED IF FITTED



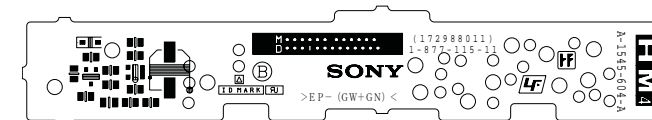
~ BC1 Printed Wiring Board Side A ~



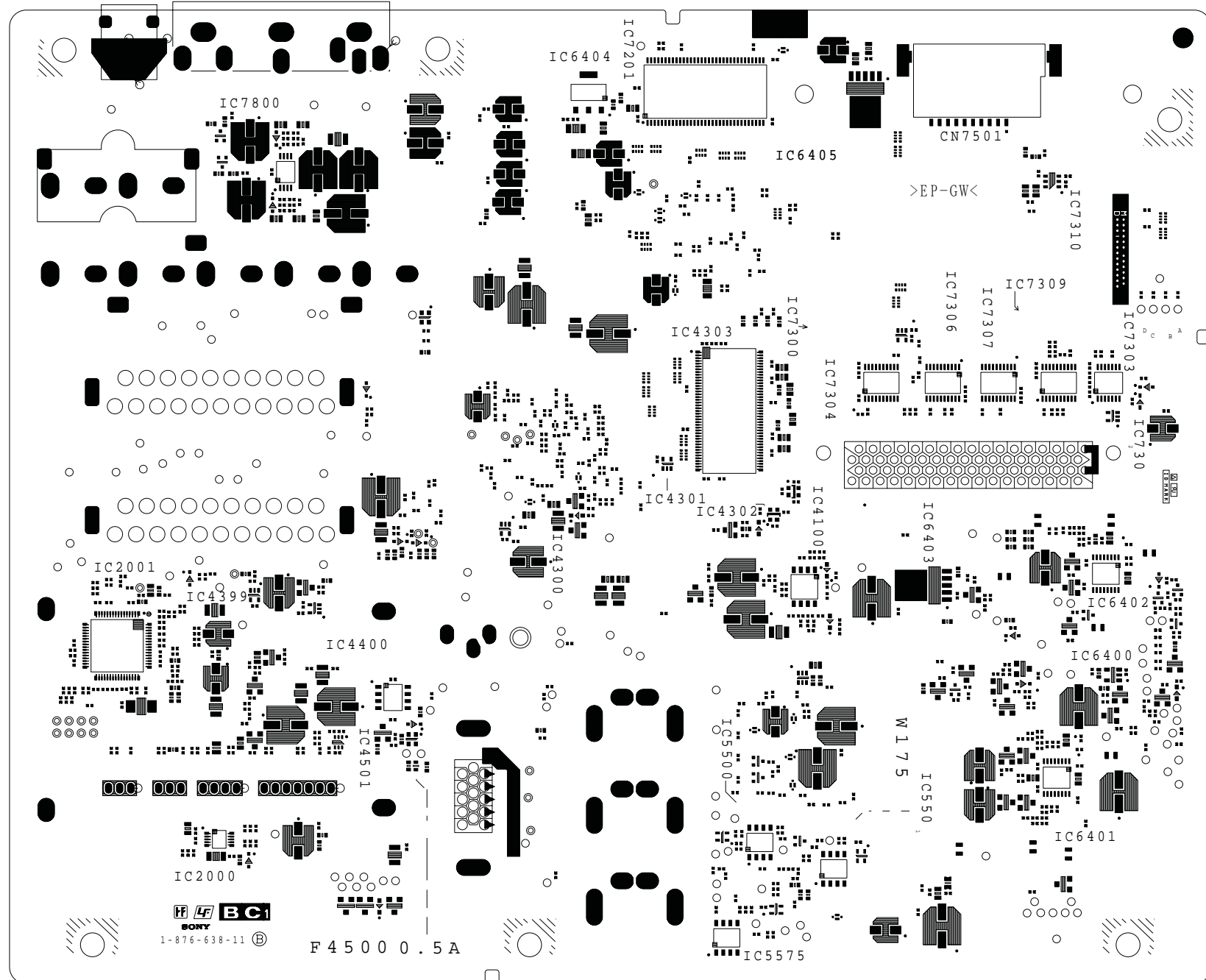
~ HM4 Printed Wiring Board Side A ~



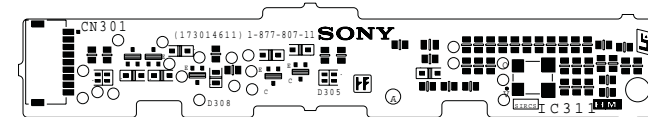
~ HM4 Printed Wiring Board Side B ~



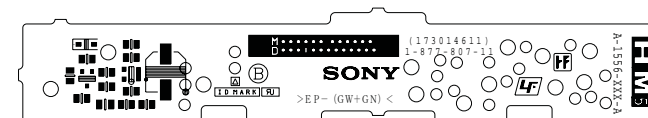
~ BC1 Printed Wiring Board Side B ~



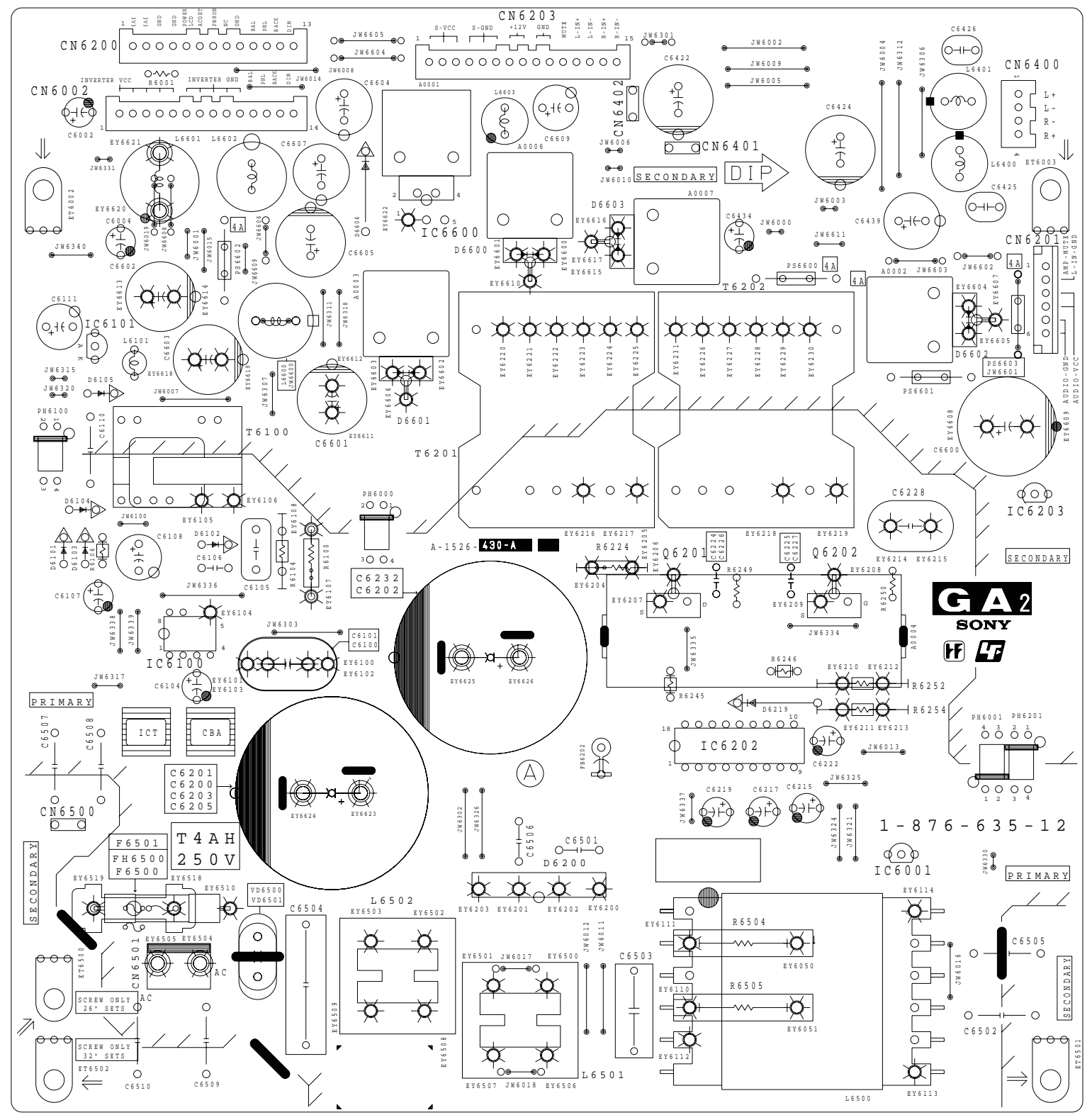
~ HM5 Printed Wiring Board Side A ~



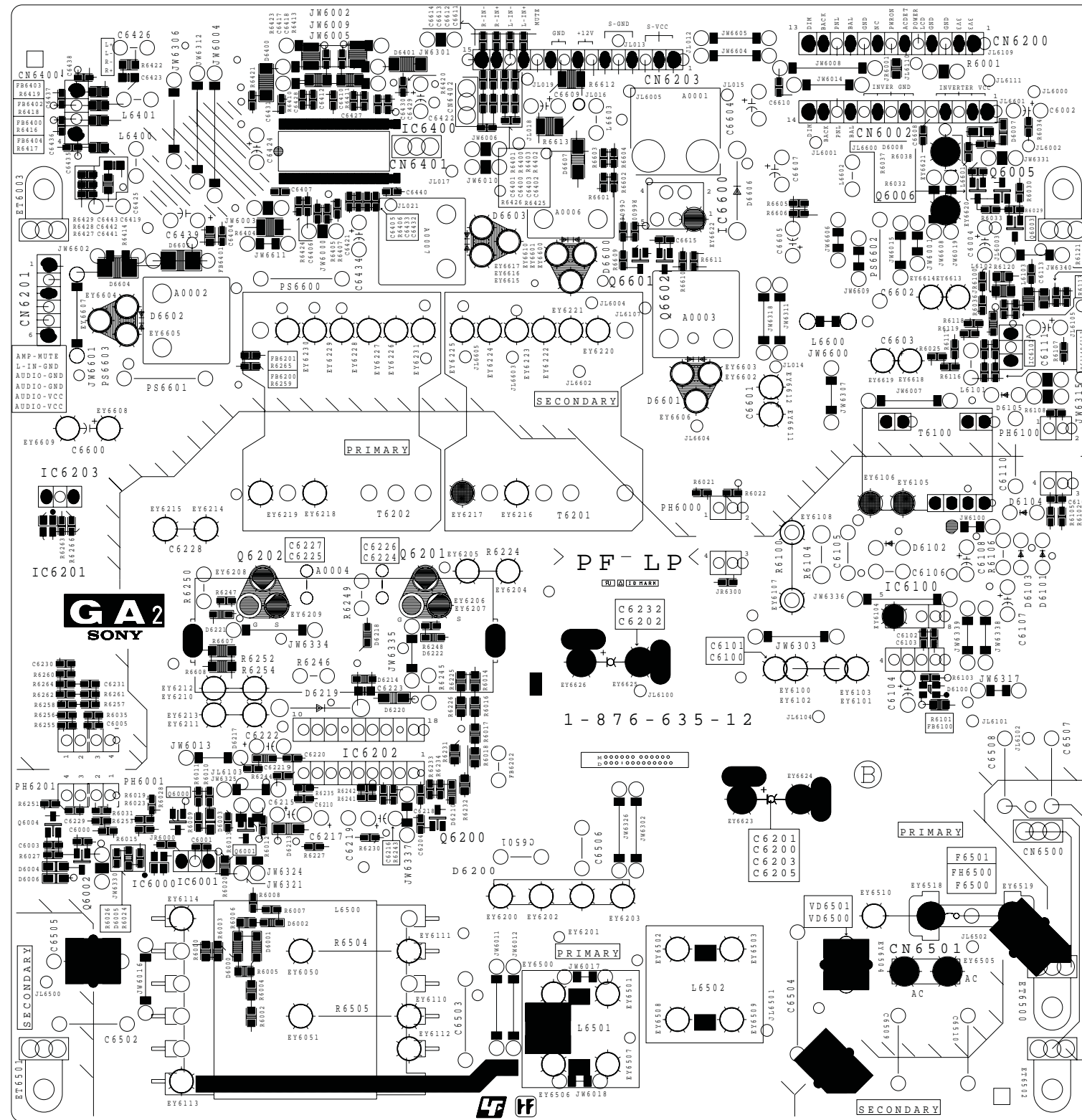
~ HM5 Printed Wiring Board Side B ~



~ GA2 Printed Wiring Board Side A ~



~ GA2 Printed Wiring Board Side B ~









## SECTION 5 EXPLODED VIEWS

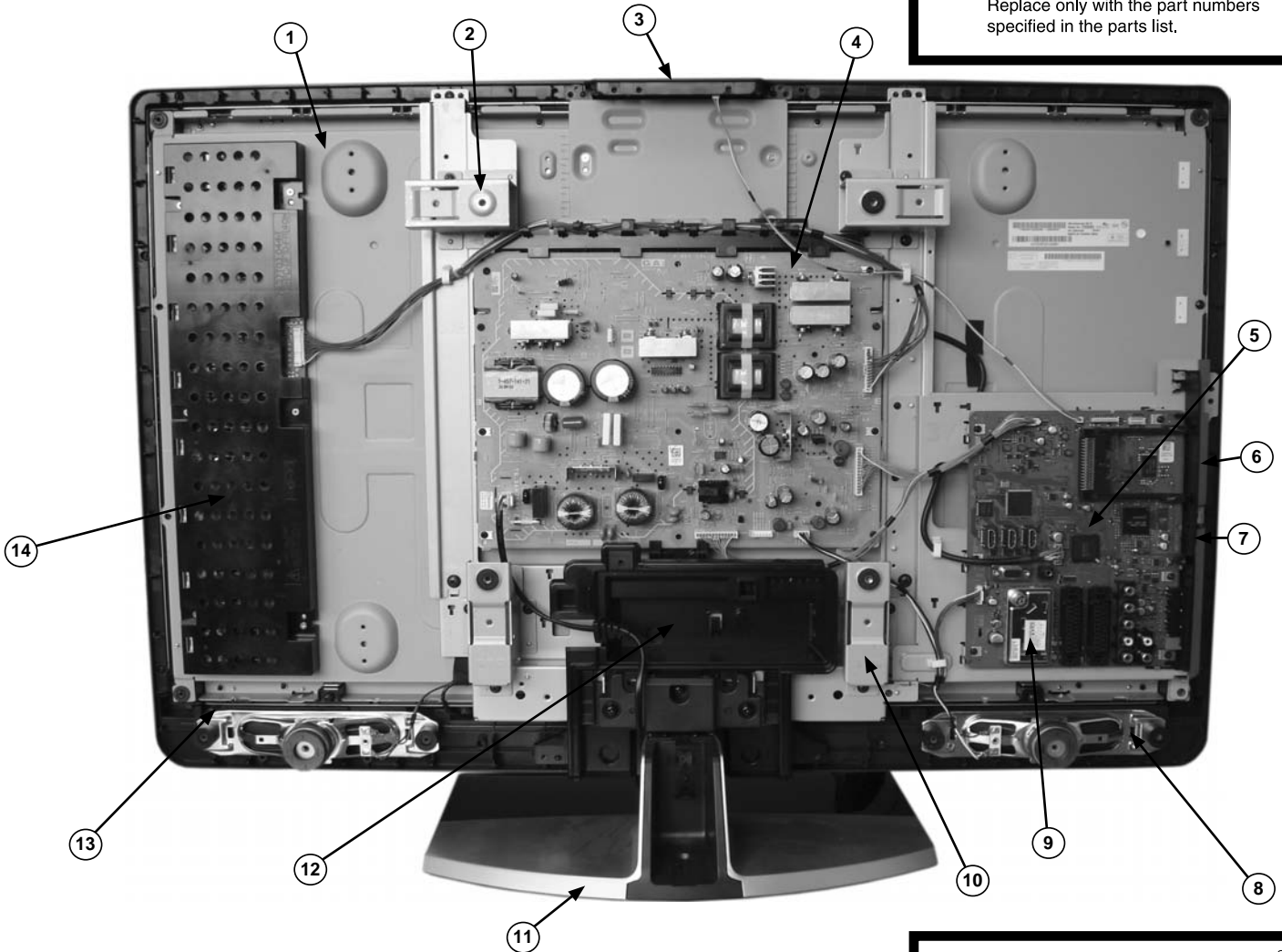
### NOTE :

- Non-serviceable items with no part number and no description are not stocked because they are not required for routine service.
- The construction parts of an assembled part are indicated with a collation number in the remarks column.
- Items marked “\*” are not stocked since they are seldom required for routine service. Some delay should be anticipated when ordering these items.

**Note :** Les composants identifiés par une trame et par une marque  $\Delta$  sont d'une importance critique pour la sécurité. Ne les remplacer que par des pièces du numéro spécifique.

**Note :** The components identified by shading and marked  $\Delta$  are critical for safety. Replace only with the part numbers specified in the parts list.

### 5-1. CHASSIS



**Note :** The components identified by mark  $\Delta$  contain confidential information. Strictly follow the instructions when ever the components are repaired and/or replaced.

REF.NO.	PART.NO	DESCRIPTION	REMARK	REF.NO.	PART.NO	DESCRIPTION	REMARK
1	$\Delta$ 1-802-706-11	LCD PANEL (26 WXGA TFT) (26 inches)		9	8-597-662-00	TUNER, FSS BTF-HF412T	
	$\Delta$ 1-802-649-12	LCD PANEL (32 WXGA TFT) (32 inches)		10	3-298-273-01	FRAME, VESA BOTTOM (26 inches)	
	$\Delta$ 1-802-622-11	LCD PANEL (37 WXGA TFT) (37 inches)			3-298-054-01	FRAME, VESA BOTTOM (32 inches)	
2	3-298-272-01	FRAME, VESA TOP (26) (26 inches)			3-298-055-01	FRAME, VESA BOTTOM (37 inches)	
	3-298-050-01	FRAME, VESA TOP (32) (32 inches)		11	X-2318-094-1	STAND, ASSY (M2) WITH SWIVEL (26 inches)	
	3-298-051-01	FRAME, VESA TOP (37) (37 inches)			X-2318-095-1	STAND, ASSY (M2) WITH SWIVEL (32 inches)	
3	$\Delta$ 1-480-876-21	SWITCH UNIT			X-2318-089-1	STAND, ASSY (ML2) WITH SWIVEL (37 inches)	
4	*A-1526-430-A	GA2 BOARD, COMPLETE (26/32 inches)		12	3-298-021-01	UNDER COVER, (26) (26 inches)	
	*A-1526-431-A	GA3 BOARD, COMPLETE (37 inches)			3-298-020-01	UNDER COVER, (32) (32 inches)	
5	$\Delta$ *A-1599-690-A	BC1 BOARD, COMPLETE			3-298-019-01	UNDER COVER, (37) (37 inches)	
6	*4-101-356-02	CARD, DUMMY		13	*A-1545-603-A	HM4 BOARD, COMPLETE (26/32 inches)	
7	X-2319-380-1	SIDE JACK BRACKET ASSY			*A-1556-707-A	HM5 BOARD, COMPLETE (37 inches)	
8	1-826-958-11	LOUDSPEAKER (4.2X15CM) (26 inches)		14	1-857-183-11	ETC-INVERTER MT BOARD (26 inches)	
	1-826-791-11	LOUDSPEAKER (4.2X15CM) (32 inches)			1-857-109-11	ETC-INVERTER MT BOARD (32 inches)	
	1-826-791-21	LOUDSPEAKER (4.2X15CM) (37 inches)			1-857-097-11	ETC-INVERTER MT BOARD (37 inches)	

## 5-2. BEZNET ASSY

**Note :** Les composants indentifiés par une trame et par une marque  $\Delta$  sont d'une importance critique pour la sécurité. Ne les remplacer que par des pièces du numéro spécifié.

**Note :** The components identified by shading and marked  $\Delta$  are critical for safety. Replace only with the part numbers specified in the parts list.



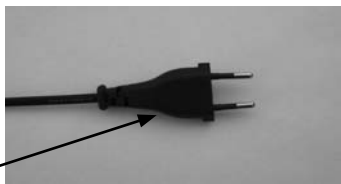
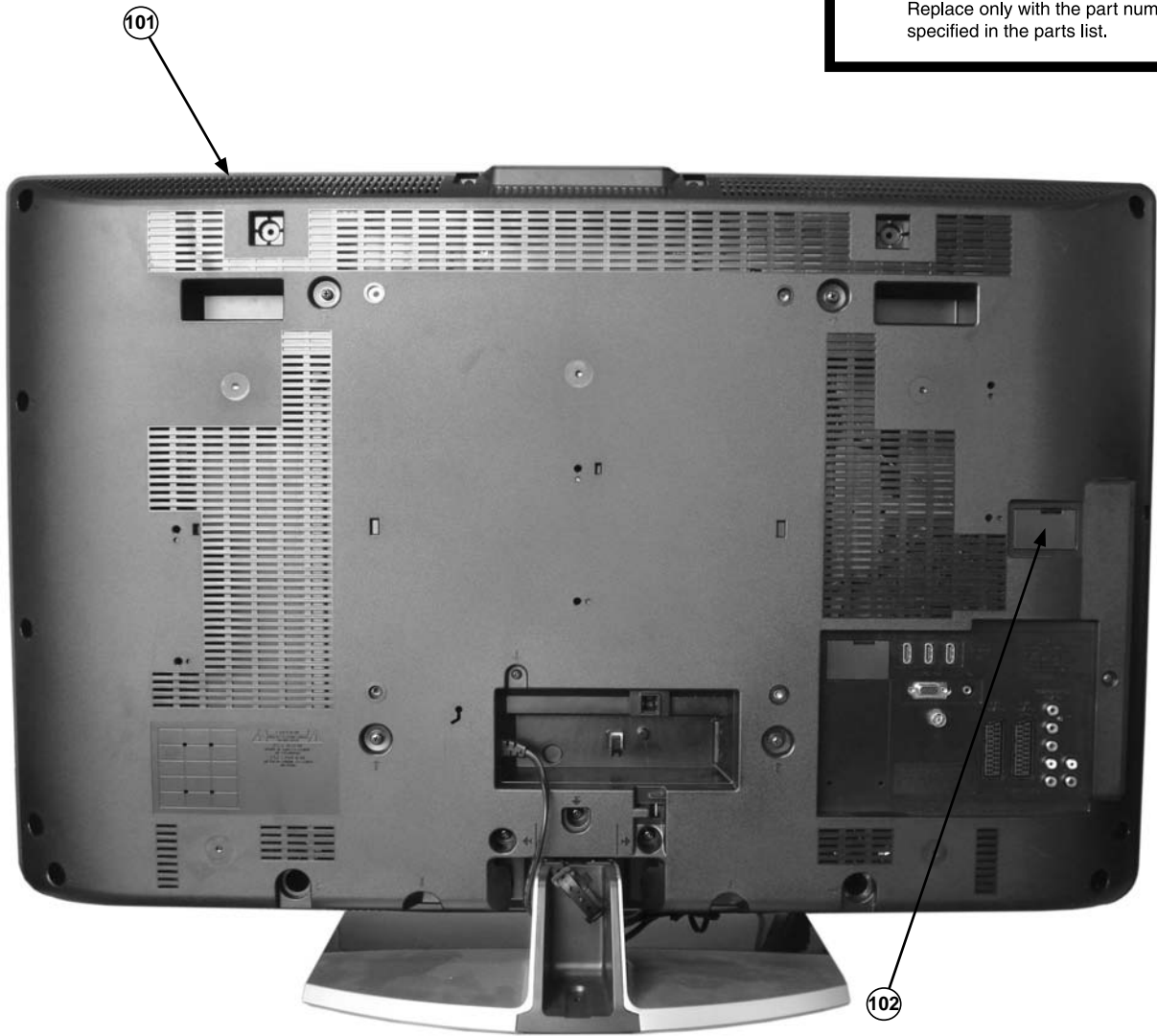
REF.NO.	PART.NO	DESCRIPTION	REMARK	REF.NO.	PART.NO	DESCRIPTION	REMARK
51	X-2319-419-1	BEZNET (26) ASSY (26 inches)					
	X-2319-375-1	BEZNET (32) ASSY (32 inches)					
	X-2319-416-1	BEZNET (37) ASSY (37 inches)					



### 5-3. REAR COVER & POWER SUPPLY CORDS

**Note :** Les composants identifiés par une trame et par une marque  $\Delta$  sont d'une importance critique pour la sécurité. Ne les remplacer que par des pièces du numéro spécifié.

**Note :** The components identified by shading and marked  $\Delta$  are critical for safety. Replace only with the part numbers specified in the parts list.



REF.NO.	PART.NO	DESCRIPTION	REMARK	REF.NO.	PART.NO	DESCRIPTION	REMARK
101	X-2319-420-1	COVER, REAR (26) (26 inches)					
	X-2319-377-1	COVER, REAR ASSY(32) (32 inches)					
	X-2319-417-1	COVER, REAR ASSY (37) (37 inches)					
102	3-299-466-01	COVER, ECS					
103	$\Delta$ 1-833-265-11	POWER-SUPPLY CORD (26 inches) (AEP)					
	$\Delta$ 1-832-132-31	POWER-SUPPLY CORD (32/37 inches) (AEP)					
104	$\Delta$ 1-832-170-31	POWER-SUPPLY CORD (26 inches) (UK)					
	$\Delta$ 1-832-170-41	POWER-SUPPLY CORD (32/37 inches) (UK)					


# SECTION 6 ELECTRICAL PARTS LIST

## PARTS LISTING TABLE OF CONTENTS


	<u>Page</u>
BC1 BOARD COMPLETE Parts List : .....	42
HM4 BOARD COMPLETE Parts List : (26 & 32 inches).....	57
HM5 BOARD COMPLETE Parts List : (37 inches).....	57
ACCESSORIES AND CONNECTORS : .....	58
REMOTE COMMANDER : .....	58

**Note:** To ensure safety and reliability it is Sony policy that power supply boards should not be repaired at component level in the field as a result... The GA2 and GA3 boards are regarded as non service items for exchange only and are not indicated in the parts list of this service manual

**Note :** Items marked “\*” are not stocked since they are seldom required for routine service. Some delay should be anticipated when ordering these items.

Note : The components identified by mark  contain confidential information. Strictly follow the instructions when ever the components are repaired and/or replaced.

**BC1**

REF.NO.	PART.NO	DESCRIPTION	REMARK	REF.NO.	PART.NO	DESCRIPTION	REMARK
<b> * A-1599-690-A BC1 Board, Complete</b>				C2072	1-100-916-11	CERAMIC CHIP 0.1UF	10% 16V
< CAPACITOR >				C2073	1-100-916-11	CERAMIC CHIP 0.1UF	10% 16V
C2002	1-114-331-11	CERAMIC CHIP 4.7UF	10% 10V	C2074	1-164-858-11	CERAMIC CHIP 22PF	5.00% 50V
C2003	1-164-874-11	CERAMIC CHIP 100PF	5.00% 50V	C2075	1-164-858-11	CERAMIC CHIP 22PF	5.00% 50V
C2009	1-162-927-11	CERAMIC CHIP 100PF	5.00% 50V	C2078	1-112-161-21	ELECT CHIP 1000UF	20% 6.3V
C2010	1-100-916-11	CERAMIC CHIP 0.1UF	10% 16V	C2079	1-112-780-11	CERAMIC CHIP 0.47UF	10% 16V
C2013	1-135-366-11	ELECT CHIP 100UF	20% 16V	C2080	1-112-781-11	CERAMIC CHIP 1UF	10% 10V
C2015	1-165-882-91	CERAMIC CHIP 2.2UF	50V	C2081	1-112-781-11	CERAMIC CHIP 1UF	10% 10V
C2017	1-100-905-11	CERAMIC CHIP 0.001UF	10% 50V	C2082	1-100-916-11	CERAMIC CHIP 0.1UF	10% 16V
C2023	1-112-777-11	CERAMIC CHIP 0.01UF	10% 25V	C2083	1-100-916-11	CERAMIC CHIP 0.1UF	10% 16V
C2024	1-114-325-11	CERAMIC CHIP 0.1UF	10% 25V	C2084	1-100-916-11	CERAMIC CHIP 0.1UF	10% 16V
C2025	1-100-916-11	CERAMIC CHIP 0.1UF	10% 16V	C2085	1-100-916-11	CERAMIC CHIP 0.1UF	10% 16V
C2026	1-100-916-11	CERAMIC CHIP 0.1UF	10% 16V	C2086	1-100-916-11	CERAMIC CHIP 0.1UF	10% 16V
C2027	1-100-916-11	CERAMIC CHIP 0.1UF	10% 16V	C2087	1-100-916-11	CERAMIC CHIP 0.1UF	10% 16V
C2028	1-126-404-11	ELECT CHIP 4.7UF	20.00% 50V	C2088	1-100-916-11	CERAMIC CHIP 0.1UF	10% 16V
C2030	1-164-870-11	CERAMIC CHIP 68PF	5.00% 50V	C2089	1-100-916-11	CERAMIC CHIP 0.1UF	10% 16V
C2032	1-164-860-11	CERAMIC CHIP 27PF	5.00% 50V	C2090	1-100-916-11	CERAMIC CHIP 0.1UF	10% 16V
C2033	1-164-860-11	CERAMIC CHIP 27PF	5.00% 50V	C2091	1-100-765-21	ELECT CHIP 10UF	20% 16V
C2034	1-100-916-11	CERAMIC CHIP 0.1UF	10% 16V	C2092	1-100-765-21	ELECT CHIP 10UF	20% 16V
C2036	1-164-868-11	CERAMIC CHIP 56PF	5.00% 50V	C2093	1-100-766-21	ELECT CHIP 47UF	20% 16V
C2037	1-100-916-11	CERAMIC CHIP 0.1UF	10% 16V	C2094	1-100-916-11	CERAMIC CHIP 0.1UF	10% 16V
C2038	1-100-916-11	CERAMIC CHIP 0.1UF	10% 16V	C2095	1-112-791-11	ELECT CHIP 100UF	20% 16V
C2040	1-100-905-11	CERAMIC CHIP 0.001UF	10% 50V	C3004	1-162-927-11	CERAMIC CHIP 100PF	5.00% 50V
C2041	1-100-916-11	CERAMIC CHIP 0.1UF	10% 16V	C3005	1-162-927-11	CERAMIC CHIP 100PF	5.00% 50V
C2042	1-100-905-11	CERAMIC CHIP 0.001UF	10% 50V	C3008	1-100-831-91	CERAMIC CHIP 0.001UF	2% 50V
C2043	1-100-916-11	CERAMIC CHIP 0.1UF	10% 16V	C3010	1-100-831-91	CERAMIC CHIP 0.001UF	2% 50V
C2044	1-164-870-11	CERAMIC CHIP 68PF	5.00% 50V	C3012	1-112-064-11	CERAMIC CHIP 2.2UF	10% 10V
C2046	1-100-916-11	CERAMIC CHIP 0.1UF	10% 16V	C3013	1-100-831-91	CERAMIC CHIP 0.001UF	2% 50V
C2047	1-100-916-11	CERAMIC CHIP 0.1UF	10% 16V	C3014	1-100-831-91	CERAMIC CHIP 0.001UF	2% 50V
C2048	1-100-905-11	CERAMIC CHIP 0.001UF	10% 50V	C3019	1-114-327-11	CERAMIC CHIP 1UF	10% 16V
C2049	1-164-870-11	CERAMIC CHIP 68PF	5.00% 50V	C3020	1-114-327-11	CERAMIC CHIP 1UF	10% 16V
C2050	1-135-366-11	ELECT CHIP 100UF	20% 16V	C3021	1-114-327-11	CERAMIC CHIP 1UF	10% 16V
C2051	1-100-916-11	CERAMIC CHIP 0.1UF	10% 16V	C3022	1-114-327-11	CERAMIC CHIP 1UF	10% 16V
C2052	1-100-916-11	CERAMIC CHIP 0.1UF	10% 16V	C3023	1-137-893-11	ELECT CHIP 22UF	20% 16V
C2053	1-100-916-11	CERAMIC CHIP 0.1UF	10% 16V	C3024	1-137-893-11	ELECT CHIP 22UF	20% 16V
C2054	1-100-916-11	CERAMIC CHIP 0.1UF	10% 16V	C3027	1-100-909-11	CERAMIC CHIP 10UF	10% 6.3V
C2055	1-100-916-11	CERAMIC CHIP 0.1UF	10% 16V	C3028	1-114-325-11	CERAMIC CHIP 0.1UF	10% 25V
C2056	1-100-916-11	CERAMIC CHIP 0.1UF	10% 16V	C3029	1-114-327-11	CERAMIC CHIP 1UF	10% 16V
C2057	1-100-904-11	CERAMIC CHIP 330PF	10% 50V	C3030	1-114-327-11	CERAMIC CHIP 1UF	10% 16V
C2058	1-135-366-11	ELECT CHIP 100UF	20% 16V	C3033	1-100-831-91	CERAMIC CHIP 0.001UF	2% 50V
C2059	1-112-781-11	CERAMIC CHIP 1UF	10% 10V	C3034	1-100-831-91	CERAMIC CHIP 0.001UF	2% 50V
C2060	1-100-916-11	CERAMIC CHIP 0.1UF	10% 16V	C3046	1-114-327-11	CERAMIC CHIP 1UF	10% 16V
C2061	1-164-874-11	CERAMIC CHIP 100PF	5.00% 50V	C3047	1-114-327-11	CERAMIC CHIP 1UF	10% 16V
C2062	1-164-856-81	CERAMIC CHIP 18PF	5.00% 50V	C3049	1-100-831-91	CERAMIC CHIP 0.001UF	2% 50V
C2063	1-164-852-11	CERAMIC CHIP 12PF	5.00% 50V	C3051	1-100-831-91	CERAMIC CHIP 0.001UF	2% 50V
C2068	1-100-905-11	CERAMIC CHIP 0.001UF	10% 50V	C3052	1-100-831-91	CERAMIC CHIP 0.001UF	2% 50V
C2070	1-100-916-11	CERAMIC CHIP 0.1UF	10% 16V	C3053	1-100-831-91	CERAMIC CHIP 0.001UF	2% 50V
				C3054	1-114-327-11	CERAMIC CHIP 1UF	10% 16V
				C3055	1-114-327-11	CERAMIC CHIP 1UF	10% 16V
				C3056	1-137-893-11	ELECT CHIP 22UF	20% 16V

REF.NO.	PART.NO	DESCRIPTION	REMARK	REF.NO.	PART.NO	DESCRIPTION	REMARK
C3057	1-137-893-11	ELECT CHIP 22UF	20% 16V	C4047	1-100-916-11	CERAMIC CHIP 0.1UF	10% 16V
C3062	1-114-325-11	CERAMIC CHIP 0.1UF	10% 25V	C4049	1-100-916-11	CERAMIC CHIP 0.1UF	10% 16V
C3063	1-100-909-11	CERAMIC CHIP 10UF	10% 6.3V	C4050	1-100-916-11	CERAMIC CHIP 0.1UF	10% 16V
C3064	1-112-778-11	CERAMIC CHIP 0.022UF	10% 25V	C4051	1-100-916-11	CERAMIC CHIP 0.1UF	10% 16V
C3065	1-112-778-11	CERAMIC CHIP 0.022UF	10% 25V	C4052	1-100-916-11	CERAMIC CHIP 0.1UF	10% 16V
C3066	1-112-778-11	CERAMIC CHIP 0.022UF	10% 25V	C4053	1-100-916-11	CERAMIC CHIP 0.1UF	10% 16V
C3067	1-112-778-11	CERAMIC CHIP 0.022UF	10% 25V	C4054	1-100-916-11	CERAMIC CHIP 0.1UF	10% 16V
C3068	1-100-904-11	CERAMIC CHIP 330PF	10% 50V	C4056	1-100-916-11	CERAMIC CHIP 0.1UF	10% 16V
C3069	1-100-904-11	CERAMIC CHIP 330PF	10% 50V	C4057	1-100-916-11	CERAMIC CHIP 0.1UF	10% 16V
C3400	1-100-916-11	CERAMIC CHIP 0.1UF	10% 16V	C4059	1-100-916-11	CERAMIC CHIP 0.1UF	10% 16V
C3401	1-100-765-21	ELECT CHIP 10UF	20% 16V	C4060	1-100-916-11	CERAMIC CHIP 0.1UF	10% 16V
C3402	1-100-765-21	ELECT CHIP 10UF	20% 16V	C4062	1-100-916-11	CERAMIC CHIP 0.1UF	10% 16V
C3407	1-114-331-11	CERAMIC CHIP 4.7UF	10% 10V	C4063	1-100-916-11	CERAMIC CHIP 0.1UF	10% 16V
C3408	1-114-331-11	CERAMIC CHIP 4.7UF	10% 10V	C4100	1-164-874-11	CERAMIC CHIP 100PF	5.00% 50V
C3411	1-164-874-11	CERAMIC CHIP 100PF	5.00% 50V	C4101	1-100-765-21	ELECT CHIP 10UF	20% 16V
C3414	1-164-874-11	CERAMIC CHIP 100PF	5.00% 50V	C4102	1-164-874-11	CERAMIC CHIP 100PF	5.00% 50V
C3415	1-164-874-11	CERAMIC CHIP 100PF	5.00% 50V	C4103	1-112-781-11	CERAMIC CHIP 1UF	10% 10V
C3417	1-100-765-21	ELECT CHIP 10UF	20% 16V	C4104	1-164-874-11	CERAMIC CHIP 100PF	5.00% 50V
C3419	1-100-916-11	CERAMIC CHIP 0.1UF	10% 16V	C4105	1-112-778-11	CERAMIC CHIP 0.022UF	10% 25V
C3420	1-100-916-11	CERAMIC CHIP 0.1UF	10% 16V	C4109	1-100-766-21	ELECT CHIP 47UF	20% 16V
C3421	1-100-765-21	ELECT CHIP 10UF	20% 16V	C4111	1-100-916-11	CERAMIC CHIP 0.1UF	10% 16V
C3422	1-112-781-11	CERAMIC CHIP 1UF	10% 10V	C4112	1-100-916-11	CERAMIC CHIP 0.1UF	10% 16V
C3423	1-112-781-11	CERAMIC CHIP 1UF	10% 10V	C4113	1-100-916-11	CERAMIC CHIP 0.1UF	10% 16V
C3424	1-100-916-11	CERAMIC CHIP 0.1UF	10% 16V	C4114	1-112-001-81	CERAMIC CHIP 270PF	5% 50V
C4000	1-100-916-11	CERAMIC CHIP 0.1UF	10% 16V	C4115	1-112-777-11	CERAMIC CHIP 0.01UF	10% 25V
C4002	1-100-916-11	CERAMIC CHIP 0.1UF	10% 16V	C4117	1-164-874-11	CERAMIC CHIP 100PF	5.00% 50V
C4003	1-100-916-11	CERAMIC CHIP 0.1UF	10% 16V	C4119	1-115-340-11	CERAMIC CHIP 0.22UF	10.00% 25V
C4005	1-100-916-11	CERAMIC CHIP 0.1UF	10% 16V	C4120	1-100-916-11	CERAMIC CHIP 0.1UF	10% 16V
C4006	1-100-916-11	CERAMIC CHIP 0.1UF	10% 16V	C4121	1-112-034-91	CERAMIC CHIP 0.01UF	5% 50V
C4007	1-100-916-11	CERAMIC CHIP 0.1UF	10% 16V	C4122	1-164-230-11	CERAMIC CHIP 220PF	5.00% 50V
C4010	1-100-916-11	CERAMIC CHIP 0.1UF	10% 16V	C4123	1-100-916-11	CERAMIC CHIP 0.1UF	10% 16V
C4014	1-100-916-11	CERAMIC CHIP 0.1UF	10% 16V	C4124	1-100-916-11	CERAMIC CHIP 0.1UF	10% 16V
C4016	1-100-916-11	CERAMIC CHIP 0.1UF	10% 16V	C4125	1-100-916-11	CERAMIC CHIP 0.1UF	10% 16V
C4017	1-100-916-11	CERAMIC CHIP 0.1UF	10% 16V	C4126	1-100-916-11	CERAMIC CHIP 0.1UF	10% 16V
C4019	1-100-916-11	CERAMIC CHIP 0.1UF	10% 16V	C4127	1-100-916-11	CERAMIC CHIP 0.1UF	10% 16V
C4021	1-100-916-11	CERAMIC CHIP 0.1UF	10% 16V	C4128	1-112-777-11	CERAMIC CHIP 0.01UF	10% 25V
C4022	1-100-916-11	CERAMIC CHIP 0.1UF	10% 16V	C4129	1-114-399-21	ELECT CHIP 47UF	20% 6.3V
C4023	1-100-916-11	CERAMIC CHIP 0.1UF	10% 16V	C4130	1-100-916-11	CERAMIC CHIP 0.1UF	10% 16V
C4026	1-100-916-11	CERAMIC CHIP 0.1UF	10% 16V	C4131	1-114-326-11	CERAMIC CHIP 0.22UF	10% 25V
C4027	1-100-916-11	CERAMIC CHIP 0.1UF	10% 16V	C4134	1-112-068-11	CERAMIC CHIP 220PF	10% 50V
C4028	1-100-916-11	CERAMIC CHIP 0.1UF	10% 16V	C4135	1-114-398-21	ELECT CHIP 22UF	20% 6.3V
C4031	1-100-916-11	CERAMIC CHIP 0.1UF	10% 16V	C4138	1-112-777-11	CERAMIC CHIP 0.01UF	10% 25V
C4032	1-100-916-11	CERAMIC CHIP 0.1UF	10% 16V	C4139	1-112-774-11	CERAMIC CHIP 470PF	10% 50V
C4034	1-100-916-11	CERAMIC CHIP 0.1UF	10% 16V	C4140	1-100-633-21	ELECT CHIP 47UF	20% 35V
C4041	1-100-916-11	CERAMIC CHIP 0.1UF	10% 16V	C4142	1-164-854-11	CERAMIC CHIP 15PF	5.00% 50V
C4042	1-100-916-11	CERAMIC CHIP 0.1UF	10% 16V	C4143	1-164-854-11	CERAMIC CHIP 15PF	5.00% 50V
C4043	1-100-916-11	CERAMIC CHIP 0.1UF	10% 16V	C4144	1-100-905-11	CERAMIC CHIP 0.001UF	10% 50V
C4044	1-100-916-11	CERAMIC CHIP 0.1UF	10% 16V	C4145	1-112-034-91	CERAMIC CHIP 0.01UF	5% 50V
C4045	1-100-916-11	CERAMIC CHIP 0.1UF	10% 16V	C4147	1-115-416-11	CERAMIC CHIP 0.001UF	5.00% 25V
C4046	1-100-916-11	CERAMIC CHIP 0.1UF	10% 16V	C4300	1-100-916-11	CERAMIC CHIP 0.1UF	10% 16V

REF.NO.	PART.NO	DESCRIPTION	REMARK	REF.NO.	PART.NO	DESCRIPTION	REMARK
C4302	1-114-399-21	ELECT CHIP 47UF	20% 6.3V	C4501	1-100-916-11	CERAMIC CHIP 0.1UF	10% 16V
C4303	1-164-876-11	CERAMIC CHIP 120PF	5.00% 50V	C4511	1-100-916-11	CERAMIC CHIP 0.1UF	10% 16V
C4305	1-100-916-11	CERAMIC CHIP 0.1UF	10% 16V	C4516	1-100-916-11	CERAMIC CHIP 0.1UF	10% 16V
C4307	1-100-916-11	CERAMIC CHIP 0.1UF	10% 16V	C4561	1-100-916-11	CERAMIC CHIP 0.1UF	10% 16V
C4308	1-100-916-11	CERAMIC CHIP 0.1UF	10% 16V	C4562	1-100-916-11	CERAMIC CHIP 0.1UF	10% 16V
C4309	1-100-916-11	CERAMIC CHIP 0.1UF	10% 16V	C4563	1-100-916-11	CERAMIC CHIP 0.1UF	10% 16V
C4310	1-100-765-21	ELECT CHIP 10UF	20% 16V	C4564	1-115-416-11	CERAMIC CHIP 0.001UF	5.00% 25V
C4311	1-100-916-11	CERAMIC CHIP 0.1UF	10% 16V	C5500	1-100-916-11	CERAMIC CHIP 0.1UF	10% 16V
C4312	1-100-916-11	CERAMIC CHIP 0.1UF	10% 16V	C5501	1-100-916-11	CERAMIC CHIP 0.1UF	10% 16V
C4313	1-100-916-11	CERAMIC CHIP 0.1UF	10% 16V	C5502	1-100-916-11	CERAMIC CHIP 0.1UF	10% 16V
C4314	1-100-916-11	CERAMIC CHIP 0.1UF	10% 16V	C5503	1-100-916-11	CERAMIC CHIP 0.1UF	10% 16V
C4315	1-100-916-11	CERAMIC CHIP 0.1UF	10% 16V	C5504	1-100-916-11	CERAMIC CHIP 0.1UF	10% 16V
C4316	1-100-916-11	CERAMIC CHIP 0.1UF	10% 16V	C5505	1-100-916-11	CERAMIC CHIP 0.1UF	10% 16V
C4317	1-100-916-11	CERAMIC CHIP 0.1UF	10% 16V	C5506	1-100-916-11	CERAMIC CHIP 0.1UF	10% 16V
C4318	1-100-916-11	CERAMIC CHIP 0.1UF	10% 16V	C5507	1-100-916-11	CERAMIC CHIP 0.1UF	10% 16V
C4319	1-100-916-11	CERAMIC CHIP 0.1UF	10% 16V	C5508	1-100-916-11	CERAMIC CHIP 0.1UF	10% 16V
C4320	1-100-916-11	CERAMIC CHIP 0.1UF	10% 16V	C5509	1-100-916-11	CERAMIC CHIP 0.1UF	10% 16V
C4321	1-100-916-11	CERAMIC CHIP 0.1UF	10% 16V	C5510	1-100-916-11	CERAMIC CHIP 0.1UF	10% 16V
C4322	1-100-916-11	CERAMIC CHIP 0.1UF	10% 16V	C5513	1-100-916-11	CERAMIC CHIP 0.1UF	10% 16V
C4323	1-100-916-11	CERAMIC CHIP 0.1UF	10% 16V	C5514	1-100-905-11	CERAMIC CHIP 0.001UF	10% 50V
C4324	1-100-916-11	CERAMIC CHIP 0.1UF	10% 16V	C5515	1-100-916-11	CERAMIC CHIP 0.1UF	10% 16V
C4325	1-112-775-11	CERAMIC CHIP 0.0022UF	10% 50V	C5517	1-100-916-11	CERAMIC CHIP 0.1UF	10% 16V
C4326	1-112-775-11	CERAMIC CHIP 0.0022UF	10% 50V	C5521	1-100-916-11	CERAMIC CHIP 0.1UF	10% 16V
C4327	1-112-775-11	CERAMIC CHIP 0.0022UF	10% 50V	C5530	1-100-916-11	CERAMIC CHIP 0.1UF	10% 16V
C4328	1-112-775-11	CERAMIC CHIP 0.0022UF	10% 50V	C5533	1-100-916-11	CERAMIC CHIP 0.1UF	10% 16V
C4329	1-100-765-21	ELECT CHIP 10UF	20% 16V	C5538	1-100-905-11	CERAMIC CHIP 0.001UF	10% 50V
C4330	1-100-916-11	CERAMIC CHIP 0.1UF	10% 16V	C5540	1-100-916-11	CERAMIC CHIP 0.1UF	10% 16V
C4331	1-112-775-11	CERAMIC CHIP 0.0022UF	10% 50V	C5541	1-100-916-11	CERAMIC CHIP 0.1UF	10% 16V
C4332	1-112-775-11	CERAMIC CHIP 0.0022UF	10% 50V	C5542	1-100-916-11	CERAMIC CHIP 0.1UF	10% 16V
C4333	1-112-777-11	CERAMIC CHIP 0.01UF	10% 25V	C5543	1-100-916-11	CERAMIC CHIP 0.1UF	10% 16V
C4334	1-112-777-11	CERAMIC CHIP 0.01UF	10% 25V	C5544	1-100-551-21	ELECT CHIP 22UF	20% 20V
C4335	1-112-777-11	CERAMIC CHIP 0.01UF	10% 25V	C5545	1-100-551-21	ELECT CHIP 22UF	20% 20V
C4336	1-112-777-11	CERAMIC CHIP 0.01UF	10% 25V	C5546	1-100-765-21	ELECT CHIP 10UF	20% 16V
C4337	1-112-777-11	CERAMIC CHIP 0.01UF	10% 25V	C5575	1-100-916-11	CERAMIC CHIP 0.1UF	10% 16V
C4338	1-112-777-11	CERAMIC CHIP 0.01UF	10% 25V	C5588	1-100-916-11	CERAMIC CHIP 0.1UF	10% 16V
C4339	1-112-777-11	CERAMIC CHIP 0.01UF	10% 25V	C5589	1-100-916-11	CERAMIC CHIP 0.1UF	10% 16V
C4340	1-112-777-11	CERAMIC CHIP 0.01UF	10% 25V	C5590	1-100-916-11	CERAMIC CHIP 0.1UF	10% 16V
C4341	1-112-777-11	CERAMIC CHIP 0.01UF	10% 25V	C5591	1-100-916-11	CERAMIC CHIP 0.1UF	10% 16V
C4342	1-112-777-11	CERAMIC CHIP 0.01UF	10% 25V	C5592	1-100-916-11	CERAMIC CHIP 0.1UF	10% 16V
C4344	1-100-909-11	CERAMIC CHIP 10UF	10% 6.3V	C5593	1-100-765-21	ELECT CHIP 10UF	20% 16V
C4346	1-100-916-11	CERAMIC CHIP 0.1UF	10% 16V	C6400	1-112-777-11	CERAMIC CHIP 0.01UF	10% 25V
C4399	1-112-780-11	CERAMIC CHIP 0.47UF	10% 16V	C6401	1-112-777-11	CERAMIC CHIP 0.01UF	10% 25V
C4400	1-112-780-11	CERAMIC CHIP 0.47UF	10% 16V	C6402	1-112-777-11	CERAMIC CHIP 0.01UF	10% 25V
C4401	1-100-916-11	CERAMIC CHIP 0.1UF	10% 16V	C6403	1-112-777-11	CERAMIC CHIP 0.01UF	10% 25V
C4402	1-100-916-11	CERAMIC CHIP 0.1UF	10% 16V	C6404	1-112-791-11	ELECT CHIP 100UF	20% 16V
C4403	1-114-399-21	ELECT CHIP 47UF	20% 6.3V	C6405	1-112-777-11	CERAMIC CHIP 0.01UF	10% 25V
C4404	1-114-320-11	CERAMIC CHIP 0.22UF	10% 6.3V	C6406	1-112-777-11	CERAMIC CHIP 0.01UF	10% 25V
C4405	1-114-320-11	CERAMIC CHIP 0.22UF	10% 6.3V	C6407	1-100-904-11	CERAMIC CHIP 330PF	10% 50V
C4406	1-112-776-11	CERAMIC CHIP 0.0047UF	10% 50V	C6408	1-112-791-11	ELECT CHIP 100UF	20% 16V
C4500	1-100-916-11	CERAMIC CHIP 0.1UF	10% 16V	C6409	1-100-911-11	CERAMIC CHIP 4.7UF	10% 25V

REF.NO.	PART.NO	DESCRIPTION	REMARK	REF.NO.	PART.NO	DESCRIPTION	REMARK
C6410	1-100-911-11	CERAMIC CHIP 4.7UF	10% 25V	C6494	1-100-909-11	CERAMIC CHIP 10UF	10% 6.3V
C6411	1-100-905-11	CERAMIC CHIP 0.001UF	10% 50V	C6502	1-114-331-11	CERAMIC CHIP 4.7UF	10% 10V
C6412	1-112-068-11	CERAMIC CHIP 220PF	10% 50V	C6505	1-100-916-11	CERAMIC CHIP 0.1UF	10% 16V
C6413	1-100-766-21	ELECT CHIP 47UF	20% 16V	C6507	1-100-909-11	CERAMIC CHIP 10UF	10% 6.3V
C6414	1-114-808-11	CERAMIC CHIP 0.033UF	10% 16V	C6512	1-114-331-11	CERAMIC CHIP 4.7UF	10% 10V
C6415	1-100-911-11	CERAMIC CHIP 4.7UF	10% 25V	C6516	1-114-331-11	CERAMIC CHIP 4.7UF	10% 10V
C6416	1-100-912-11	CERAMIC CHIP 1UF	10% 25V	C6520	1-114-331-11	CERAMIC CHIP 4.7UF	10% 10V
C6417	1-112-777-11	CERAMIC CHIP 0.01UF	10% 25V	C6521	1-114-797-11	CERAMIC CHIP 390PF	10% 50V
C6418	1-100-916-11	CERAMIC CHIP 0.1UF	10% 16V	C6522	1-114-797-11	CERAMIC CHIP 390PF	10% 50V
C6419	1-100-916-11	CERAMIC CHIP 0.1UF	10% 16V	C6523	1-114-797-11	CERAMIC CHIP 390PF	10% 50V
C6420	1-100-831-91	CERAMIC CHIP 0.001UF	2% 50V	C6524	1-114-797-11	CERAMIC CHIP 390PF	10% 50V
C6422	1-100-912-11	CERAMIC CHIP 1UF	10% 25V	C6525	1-114-797-11	CERAMIC CHIP 390PF	10% 50V
C6423	1-114-326-11	CERAMIC CHIP 0.22UF	10% 25V	C6526	1-114-325-11	CERAMIC CHIP 0.1UF	10% 25V
C6424	1-100-916-11	CERAMIC CHIP 0.1UF	10% 16V	C6527	1-112-780-11	CERAMIC CHIP 0.47UF	10% 16V
C6425	1-114-326-11	CERAMIC CHIP 0.22UF	10% 25V	C6529	1-112-780-11	CERAMIC CHIP 0.47UF	10% 16V
C6426	1-100-912-11	CERAMIC CHIP 1UF	10% 25V	C6530	1-100-766-21	ELECT CHIP 47UF	20% 16V
C6427	1-135-366-11	ELECT CHIP 100UF	20% 16V	C6531	1-100-766-21	ELECT CHIP 47UF	20% 16V
C6428	1-100-909-11	CERAMIC CHIP 10UF	10% 6.3V	C6532	1-114-808-11	CERAMIC CHIP 0.033UF	10% 16V
C6429	1-100-916-11	CERAMIC CHIP 0.1UF	10% 16V	C6533	1-114-807-11	CERAMIC CHIP 0.015UF	10% 25V
C6431	1-114-415-21	ELECT CHIP 100UF	20% 6.3V	C6535	1-135-366-11	ELECT CHIP 100UF	20% 16V
C6432	1-100-905-11	CERAMIC CHIP 0.001UF	10% 50V	C6536	1-135-366-11	ELECT CHIP 100UF	20% 16V
C6433	1-100-909-11	CERAMIC CHIP 10UF	10% 6.3V	C6537	1-114-399-21	ELECT CHIP 47UF	20% 6.3V
C6435	1-114-415-21	ELECT CHIP 100UF	20% 6.3V	C6538	1-114-399-21	ELECT CHIP 47UF	20% 6.3V
C6437	1-100-916-11	CERAMIC CHIP 0.1UF	10% 16V	C6539	1-114-399-21	ELECT CHIP 47UF	20% 6.3V
C6438	1-112-066-11	CERAMIC CHIP 10UF	10% 10V	C6540	1-114-399-21	ELECT CHIP 47UF	20% 6.3V
C6439	1-112-774-11	CERAMIC CHIP 470PF	10% 50V	C7101	1-100-911-11	CERAMIC CHIP 4.7UF	10% 25V
C6440	1-112-068-11	CERAMIC CHIP 220PF	10% 50V	C7102	1-114-331-11	CERAMIC CHIP 4.7UF	10% 10V
C6442	1-114-415-21	ELECT CHIP 100UF	20% 6.3V	C7104	1-100-916-11	CERAMIC CHIP 0.1UF	10% 16V
C6443	1-112-774-11	CERAMIC CHIP 470PF	10% 50V	C7105	1-100-916-11	CERAMIC CHIP 0.1UF	10% 16V
C6444	1-100-916-11	CERAMIC CHIP 0.1UF	10% 16V	C7106	1-100-916-11	CERAMIC CHIP 0.1UF	10% 16V
C6446	1-100-916-11	CERAMIC CHIP 0.1UF	10% 16V	C7107	1-100-916-11	CERAMIC CHIP 0.1UF	10% 16V
C6447	1-114-813-11	CERAMIC CHIP 1UF	10% 16V	C7108	1-100-916-11	CERAMIC CHIP 0.1UF	10% 16V
C6450	1-100-916-11	CERAMIC CHIP 0.1UF	10% 16V	C7109	1-100-916-11	CERAMIC CHIP 0.1UF	10% 16V
C6456	1-114-130-11	CERAMIC CHIP 1UF	10% 6.3V	C7110	1-100-916-11	CERAMIC CHIP 0.1UF	10% 16V
C6457	1-100-916-11	CERAMIC CHIP 0.1UF	10% 16V	C7118	1-100-765-21	ELECT CHIP 10UF	20% 16V
C6458	1-114-130-11	CERAMIC CHIP 1UF	10% 6.3V	C7123	1-100-916-11	CERAMIC CHIP 0.1UF	10% 16V
C6459	1-112-774-11	CERAMIC CHIP 470PF	10% 50V	C7124	1-100-916-11	CERAMIC CHIP 0.1UF	10% 16V
C6460	1-100-905-11	CERAMIC CHIP 0.001UF	10% 50V	C7125	1-100-916-11	CERAMIC CHIP 0.1UF	10% 16V
C6463	1-100-916-11	CERAMIC CHIP 0.1UF	10% 16V	C7126	1-100-916-11	CERAMIC CHIP 0.1UF	10% 16V
C6465	1-114-130-11	CERAMIC CHIP 1UF	10% 6.3V	C7128	1-100-916-11	CERAMIC CHIP 0.1UF	10% 16V
C6466	1-100-916-11	CERAMIC CHIP 0.1UF	10% 16V	C7132	1-164-850-11	CERAMIC CHIP 10PF	0.50PF 50V
C6469	1-114-130-11	CERAMIC CHIP 1UF	10% 6.3V	C7135	1-100-911-11	CERAMIC CHIP 4.7UF	10% 25V
C6471	1-114-813-11	CERAMIC CHIP 1UF	10% 16V	C7136	1-100-916-11	CERAMIC CHIP 0.1UF	10% 16V
C6472	1-100-912-11	CERAMIC CHIP 1UF	10% 25V	C7137	1-100-916-11	CERAMIC CHIP 0.1UF	10% 16V
C6481	1-100-916-11	CERAMIC CHIP 0.1UF	10% 16V	C7138	1-100-911-11	CERAMIC CHIP 4.7UF	10% 25V
C6484	1-114-331-11	CERAMIC CHIP 4.7UF	10% 10V	C7142	1-100-765-21	ELECT CHIP 10UF	20% 16V
C6487	1-100-909-11	CERAMIC CHIP 10UF	10% 6.3V	C7145	1-100-916-11	CERAMIC CHIP 0.1UF	10% 16V
C6488	1-100-909-11	CERAMIC CHIP 10UF	10% 6.3V	C7200	1-100-916-11	CERAMIC CHIP 0.1UF	10% 16V
C6490	1-100-909-11	CERAMIC CHIP 10UF	10% 6.3V	C7201	1-112-781-11	CERAMIC CHIP 1UF	10% 10V
C6491	1-100-909-11	CERAMIC CHIP 10UF	10% 6.3V	C7202	1-100-916-11	CERAMIC CHIP 0.1UF	10% 16V

REF.NO.	PART.NO	DESCRIPTION	REMARK	REF.NO.	PART.NO	DESCRIPTION	REMARK
C7203	1-100-916-11	CERAMIC CHIP 0.1UF	10% 16V	C7826	1-125-891-11	CERAMIC CHIP 0.47UF	10.00% 10V
C7204	1-100-916-11	CERAMIC CHIP 0.1UF	10% 16V	C7830	1-100-912-11	CERAMIC CHIP 1UF	10% 25V
C7205	1-100-905-11	CERAMIC CHIP 0.001UF	10% 50V	C7831	1-112-064-11	CERAMIC CHIP 2.2UF	10% 10V
C7208	1-100-916-11	CERAMIC CHIP 0.1UF	10% 16V	C7832	1-112-064-11	CERAMIC CHIP 2.2UF	10% 10V
C7209	1-114-331-11	CERAMIC CHIP 4.7UF	10% 10V	C7835	1-100-765-21	ELECT CHIP 10UF	20% 16V
C7210	1-100-916-11	CERAMIC CHIP 0.1UF	10% 16V	C7836	1-100-766-21	ELECT CHIP 47UF	20% 16V
C7211	1-114-331-11	CERAMIC CHIP 4.7UF	10% 10V	C7837	1-100-766-21	ELECT CHIP 47UF	20% 16V
C7212	1-100-916-11	CERAMIC CHIP 0.1UF	10% 16V	C7838	1-100-766-21	ELECT CHIP 47UF	20% 16V
C7218	1-100-916-11	CERAMIC CHIP 0.1UF	10% 16V	C7839	1-100-766-21	ELECT CHIP 47UF	20% 16V
C7220	1-100-916-11	CERAMIC CHIP 0.1UF	10% 16V	C7840	1-135-366-11	ELECT CHIP 100UF	20% 16V
C7222	1-100-916-11	CERAMIC CHIP 0.1UF	10% 16V	C7841	1-135-366-11	ELECT CHIP 100UF	20% 16V
C7223	1-100-916-11	CERAMIC CHIP 0.1UF	10% 16V	C7842	1-112-774-11	CERAMIC CHIP 470PF	10% 50V
C7224	1-114-331-11	CERAMIC CHIP 4.7UF	10% 10V	C7843	1-112-774-11	CERAMIC CHIP 470PF	10% 50V
C7225	1-135-366-11	ELECT CHIP 100UF	20% 16V	C7844	1-112-774-11	CERAMIC CHIP 470PF	10% 50V
C7226	1-100-916-11	CERAMIC CHIP 0.1UF	10% 16V	C7845	1-112-774-11	CERAMIC CHIP 470PF	10% 50V
C7227	1-100-916-11	CERAMIC CHIP 0.1UF	10% 16V	C7846	1-100-766-21	ELECT CHIP 47UF	20% 16V
C7228	1-164-860-11	CERAMIC CHIP 27PF	5.00% 50V	< CONNECTOR >			
C7229	1-164-870-11	CERAMIC CHIP 68PF	5.00% 50V	CN3000	*1-417-602-11	SOCKET 21PIN	
C7231	1-112-777-11	CERAMIC CHIP 0.01UF	10% 25V	CN3002	*1-417-602-11	SOCKET 21PIN	
C7232	1-164-840-11	CERAMIC CHIP 1PF	0.25PF 50V	CN4101	1-779-936-51	CONNECTOR, FFC/FPC 18P	
C7233	1-164-840-11	CERAMIC CHIP 1PF	0.25PF 50V	CN4102	1-820-180-11	HEADER ASSEMBLY (PRINT PWB) 3P	
C7234	1-100-916-11	CERAMIC CHIP 0.1UF	10% 16V	CN4103	1-819-337-11	HEADER ASSEMBLY FOR PWB 10P	
C7235	1-114-399-21	ELECT CHIP 47UF	20% 6.3V	CN4104	*1-820-235-21	HEADER ASSEMBLY 30P	
C7300	1-100-916-11	CERAMIC CHIP 0.1UF	10% 16V	CN4500	1-822-087-11	D SUB CONNECTOR (15 PIN)	
C7301	1-100-916-11	CERAMIC CHIP 0.1UF	10% 16V	CN5500	1-821-819-12	HDMI CONNECTOR	
C7302	1-100-916-11	CERAMIC CHIP 0.1UF	10% 16V	CN5501	1-821-819-12	HDMI CONNECTOR	
C7303	1-164-937-11	CERAMIC CHIP 0.001UF	10.00% 50V	CN5575	1-821-819-12	HDMI CONNECTOR	
C7304	1-100-916-11	CERAMIC CHIP 0.1UF	10% 16V	CN6404	*1-818-656-21	HEADER ASSEMBLY 30P	
C7305	1-164-937-11	CERAMIC CHIP 0.001UF	10.00% 50V	CN7300	*1-822-234-11	CONNECTOR, CARD (PCMCIA CARD)	
C7306	1-100-916-11	CERAMIC CHIP 0.1UF	10% 16V	CN7501	1-822-033-11	MEMORY STICK CONNECTOR	
C7307	1-100-916-11	CERAMIC CHIP 0.1UF	10% 16V	< DIODE >			
C7308	1-100-916-11	CERAMIC CHIP 0.1UF	10% 16V	D2000	6-501-633-01	DIODE PZU33B	
C7309	1-100-916-11	CERAMIC CHIP 0.1UF	10% 16V	D3000	6-502-180-01	DI UMZ12KTL	
C7310	1-100-916-11	CERAMIC CHIP 0.1UF	10% 16V	D3001	6-502-180-01	DI UMZ12KTL	
C7311	1-100-916-11	CERAMIC CHIP 0.1UF	10% 16V	D3004	6-501-619-01	DIODE PZU9.1B2	
C7313	1-100-916-11	CERAMIC CHIP 0.1UF	10% 16V	D3005	6-501-623-01	DIODE PZU13B2	
C7314	1-114-331-11	CERAMIC CHIP 4.7UF	10% 10V	D3006	6-501-619-01	DIODE PZU9.1B2	
C7315	1-100-916-11	CERAMIC CHIP 0.1UF	10% 16V	D3007	6-501-619-01	DIODE PZU9.1B2	
C7316	1-100-905-11	CERAMIC CHIP 0.001UF	10% 50V	D3008	6-501-619-01	DIODE PZU9.1B2	
C7802	1-112-064-11	CERAMIC CHIP 2.2UF	10% 10V	D3009	6-501-614-01	DIODE PZU5.6B2	
C7803	1-112-064-11	CERAMIC CHIP 2.2UF	10% 10V	D3010	6-501-619-01	DIODE PZU9.1B2	
C7804	1-112-064-11	CERAMIC CHIP 2.2UF	10% 10V	D3012	6-501-620-01	DIODE PZU10B2	
C7805	1-112-064-11	CERAMIC CHIP 2.2UF	10% 10V	D3013	6-501-619-01	DIODE PZU9.1B2	
C7807	1-100-905-11	CERAMIC CHIP 0.001UF	10% 50V	D3014	6-501-619-01	DIODE PZU9.1B2	
C7808	1-100-916-11	CERAMIC CHIP 0.1UF	10% 16V	D3015	6-501-619-01	DIODE PZU9.1B2	
C7809	1-100-905-11	CERAMIC CHIP 0.001UF	10% 50V	D3016	6-501-619-01	DIODE PZU9.1B2	
C7810	1-164-874-11	CERAMIC CHIP 100PF	5.00% 50V				
C7811	1-112-064-11	CERAMIC CHIP 2.2UF	10% 10V				
C7812	1-164-874-11	CERAMIC CHIP 100PF	5.00% 50V				
C7815	1-100-831-91	CERAMIC CHIP 0.001UF	2% 50V				





REF.NO.	PART.NO	DESCRIPTION	REMARK	REF.NO.	PART.NO	DESCRIPTION	REMARK
FB4301	1-400-382-11	FERRITE	OUI	FL7101	1-234-939-21	FILTER, EMI REMOVAL (SMD)	
FB4302	1-400-382-11	FERRITE	OUI	FL7102	1-234-939-21	FILTER, EMI REMOVAL (SMD)	
FB4503	1-400-141-22	FERRITE	OUI	FL7103	1-234-939-21	FILTER, EMI REMOVAL (SMD)	
FB5500	1-400-693-21	FERRITE	OUI	FL7104	1-234-939-21	FILTER, EMI REMOVAL (SMD)	
FB5501	1-400-693-21	FERRITE	OUI	FL7105	1-234-939-21	FILTER, EMI REMOVAL (SMD)	
FB5575	1-400-693-21	FERRITE	OUI			< IC >	
FB6400	1-400-915-21	FERRITE	OUI	IC2000	6-709-607-01	IC LA5795T-TLM-E	
FB6401	1-469-869-21	FERRITE	OUI	IC2001	8-753-296-86	IC CXD1978R-T6	
FB6402	1-400-915-21	FERRITE	OUI	IC2005	6-709-257-01	IC 74LVC4066PW	
FB6403	1-469-869-21	FERRITE	OUI	IC2006	6-709-932-01	IC MM3141CNRE	
FB6411	1-400-110-21	FERRITE	OUI	IC3400	6-710-905-01	IC AK4388ET-E2	
FB6412	1-400-110-21	FERRITE	OUI				
FB6413	1-400-915-21	FERRITE	OUI	IC3402	8-759-278-58	IC NJM4558V-TE2	
FB6414	1-400-915-21	FERRITE	OUI	IC3600	8-759-385-76	IC MC14052 BDR2	
FB6415	1-400-915-21	FERRITE	OUI	IC4000	6-808-202-01	IC VCT7593P-A1-H-802	
FB6416	1-400-834-11	FERRITE	OUI	IC4100	8-759-701-01	IC NJM2904M	
FB6417	1-400-834-11	FERRITE	OUI	IC4101	8-759-701-01	IC NJM2904M	
FB6418	1-400-834-11	FERRITE	OUI				
FB6419	1-400-834-11	FERRITE	OUI	IC4102	6-705-580-01	IC PST3616UL	
FB6420	1-400-834-11	FERRITE	OUI	IC4103	6-703-175-01	IC PST3629UL	
FB6421	1-400-834-11	FERRITE	OUI	IC4104	6-712-526-01	IC CAT24C32WI-GT3 (E)	
FB7104	1-400-244-11	FERRITE	OUI	IC4300	8-759-082-60	IC TC7S66FU	
FB7105	1-400-244-11	FERRITE	OUI	IC4301	8-759-082-60	IC TC7S66FU	
FB7106	1-400-244-11	FERRITE	OUI				
FB7107	1-400-244-11	FERRITE	OUI	IC4303	6-712-190-01	IC W9864G2GH-6-ER10 (T&R)	
FB7117	1-400-834-11	FERRITE	OUI	IC4399	8-759-082-60	IC TC7S66FU	
FB7200	1-400-244-11	FERRITE	OUI	IC4400	8-759-082-60	IC TC7S66FU	
FB7201	1-400-244-11	FERRITE	OUI	IC4500	6-701-162-01	IC MC74LVX259DTR2	
FB7202	1-400-244-11	FERRITE	OUI	IC4501	6-704-600-01	IC M24C02-WMN6T (B)	
FB7300	1-400-834-11	FERRITE	OUI				
FB7301	1-400-834-11	FERRITE	OUI	IC4502	6-701-166-01	IC MC74LVX4051DTR2	
FB7302	1-400-834-11	FERRITE	OUI	IC4503	6-701-162-01	IC MC74LVX259DTR2	
FB7303	1-400-834-11	FERRITE	OUI	IC4561	6-712-527-01	IC MM3154XURE	
FB7304	1-400-834-11	FERRITE	OUI	IC4562	6-701-162-01	IC MC74LVX259DTR2	
FB7305	1-400-834-11	FERRITE	OUI	IC5500	6-704-600-01	IC M24C02-WMN6T (B)	
FB7306	1-400-834-11	FERRITE	OUI				
FB7307	1-400-834-11	FERRITE	OUI	IC5501	6-704-600-01	IC M24C02-WMN6T (B)	
FB7308	1-400-834-11	FERRITE	OUI	IC5575	6-704-600-01	IC M24C02-WMN6T (B)	
FB7309	1-469-869-21	FERRITE	OUI	IC5588	8-753-282-08	IC CXB1444R-T6	
				IC5589	6-711-332-01	IC TC7SG17FU (TE85R, F)	
				IC6400	6-706-046-01	IC TK11185CSCL-G	
				IC6401	6-710-922-01	IC BD9853AFV-E2	
				IC6402	6-710-922-01	IC BD9853AFV-E2	
				IC6403	6-705-403-01	IC PQ070XZ01ZPH	
				IC6404	6-711-746-01	IC LD1117ASTR	
				IC6405	6-705-403-01	IC PQ070XZ01ZPH	
FL5500	1-234-939-21	FILTER, EMI REMOVAL (SMD)		IC7100	6-709-214-01	IC UPD61123F1-100-KA3-A	
FL5501	1-234-939-21	FILTER, EMI REMOVAL (SMD)		IC7200	6-705-336-01	IC K9F2808U0C-PCB0T	
FL5503	1-234-939-21	FILTER, EMI REMOVAL (SMD)		IC7201	6-705-306-01	IC HYB25DC256160CE-6	
FL5504	1-234-939-21	FILTER, EMI REMOVAL (SMD)		IC7202	6-711-876-01	IC PI6CX100-27WEX	
FL5505	1-234-939-21	FILTER, EMI REMOVAL (SMD)		IC7203	6-712-337-01	IC PCA8563T/4	
FL6400	1-234-939-21	FILTER, EMI REMOVAL (SMD)					
FL6401	1-234-939-21	FILTER, EMI REMOVAL (SMD)		IC7300	6-706-482-01	IC TC7SH00FU (T5RSOYJF)	
FL6402	1-234-939-21	FILTER, EMI REMOVAL (SMD)		IC7301	6-707-850-01	IC TC74LXC245FT (EKJ)	
FL7100	1-234-939-21	FILTER, EMI REMOVAL (SMD)		IC7302	6-706-482-01	IC TC7SH00FU (T5RSOYJF)	

**Note :** The components identified by shading and marked  $\Delta$  are critical for safety. Replace only with the part numbers specified in the parts list.

**BC1**

REF.NO.	PART.NO	DESCRIPTION	REMARK	REF.NO.	PART.NO	DESCRIPTION	REMARK
IC7303	6-707-846-01	IC TC74LCX14FT (EKJ)		L6413	1-414-394-11	INDUCTOR	2.2UH
IC7304	6-707-853-01	IC TC74LCX541FT (EKJ)		L6417	1-412-052-21	INDUCTOR	1UH
IC7305	6-707-853-01	IC TC74LCX541FT (EKJ)		L6418	1-412-052-21	INDUCTOR	1UH
IC7306	6-707-853-01	IC TC74LCX541FT (EKJ)		L6421	1-412-052-21	INDUCTOR	1UH
IC7307	6-707-853-01	IC TC74LCX541FT (EKJ)		L6422	1-412-052-21	INDUCTOR	1UH
IC7308	6-707-853-01	IC TC74LCX541FT (EKJ)		L6423	1-414-394-11	INDUCTOR	2.2UH
IC7309	6-707-853-01	IC TC74LCX541FT (EKJ)		L6424	1-414-394-11	INDUCTOR	2.2UH
IC7310	6-711-288-01	IC MIC2005-0.5YM6TR		L7200	1-412-008-31	INDUCTOR	15UH
IC7800	8-759-359-49	IC NJM3414AV (TE2)		L7800	1-412-058-11	INDUCTOR	10UH
< SOCKET >				< PROTECTOR MODULE >			
J3000	1-821-115-11	PHONO JACK (RIGHT ANGLE) 3P		PS6400	1-576-736-41	IC LINK	3.15A 24V
J3001	1-819-327-21	PHONO JACK 2P		PS6401	1-576-736-41	IC LINK	3.15A 24V
J3003	1-820-021-11	JACK		PS6402	1-576-736-41	IC LINK	3.15A 24V
J3004	1-819-354-31	PHONO JACK 5P		< TRANSISTOR >			
J7800	1-815-325-11	JACK		Q2000	8-729-027-44	TRANSISTOR DTC114TKA-T146	
< COIL >				Q2001	6-550-871-01	TRANSISTOR 2SA2048TL QR	
L2000	1-469-555-21	INDUCTOR	10UH	Q2002	6-551-904-01	TR RT3S03M-T111-1	
L2002	1-412-058-11	INDUCTOR	10UH	Q2003	6-551-904-01	TR RT3S03M-T111-1	
L2003	1-412-052-21	INDUCTOR	1UH	Q2004	6-551-904-01	TR RT3S03M-T111-1	
L2004	1-469-926-21	INDUCTOR	270NH	Q2005	8-729-620-13	TRANSISTOR 2SC4154TP-1EF	
L2005	1-414-580-21	INDUCTOR	100NH	Q2006	6-550-871-01	TRANSISTOR 2SA2048TL QR	
L2006	1-469-926-21	INDUCTOR	270NH	Q3000	8-729-010-05	TRANSISTOR MSB709-RT1	
L2007	1-412-052-21	INDUCTOR	1UH	Q3001	8-729-120-28	TRANSISTOR 2SC1623-L5L6	
L2008	1-412-058-11	INDUCTOR	10UH	Q3002	8-729-010-05	TRANSISTOR MSB709-RT1	
L2009	1-414-580-21	INDUCTOR	100NH	Q3003	8-729-120-28	TRANSISTOR 2SC1623-L5L6	
L2010	1-414-580-21	INDUCTOR	100NH	Q3600	8-729-620-07	TRANSISTOR 2SC3052EF-T1-LEF	
L2011	1-412-058-11	INDUCTOR	10UH	Q3601	8-729-620-07	TRANSISTOR 2SC3052EF-T1-LEF	
L2012	1-469-549-21	INDUCTOR	1UH	Q4100	6-551-696-01	TRANSISTOR ISA1235AC1TP-1EF	
L2013	1-412-058-11	INDUCTOR	10UH	Q4101	8-729-028-73	TRANSISTOR DTA114EUA-T106	
L2014	1-410-993-42	INDUCTOR	1UH	Q4102	8-729-028-28	TRANSISTOR 2SK2036 (TE85L)	
L3600	1-412-058-11	INDUCTOR	10UH	Q4103	8-729-028-28	TRANSISTOR 2SK2036 (TE85L)	
L4100	1-412-052-21	INDUCTOR	1UH	Q4104	8-729-028-28	TRANSISTOR 2SK2036 (TE85L)	
L4101	1-456-583-11	INDUCTOR	0UH	Q4105	8-729-028-28	TRANSISTOR 2SK2036 (TE85L)	
L4102	1-456-583-11	INDUCTOR	0UH	Q4106	6-551-696-01	TRANSISTOR ISA1235AC1TP-1EF	
L4103	1-456-583-11	INDUCTOR	0UH	Q4107	8-729-038-28	TRANSISTOR RTIN441C-TP-1	
L4104	1-456-583-11	INDUCTOR	0UH	Q4108	8-729-038-28	TRANSISTOR RTIN441C-TP-1	
L4105	1-456-583-11	INDUCTOR	0UH	Q4109	8-729-027-43	TRANSISTOR DTC114EKA-T146	
L4106	1-400-180-21	FERRITE	0UH	Q4110	8-729-038-28	TRANSISTOR RTIN441C-TP-1	
L4300	1-412-990-41	INDUCTOR	8.2UH	Q4111	8-729-050-10	TRANSISTOR PMBF170-215	
L4560	1-414-754-11	INDUCTOR	10UH	Q4112	8-729-038-28	TRANSISTOR RTIN441C-TP-1	
L5505	1-414-394-11	INDUCTOR	2.2UH	Q4113	6-551-982-01	TR RT3K33M-T111A-1	
L6402	1-414-398-11	INDUCTOR	10UH	Q4300	6-551-696-01	TRANSISTOR ISA1235AC1TP-1EF	
L6403	1-457-439-11	INDUCTOR	4.7UH	Q4301	8-729-620-07	TRANSISTOR 2SC3052EF-T1-LEF	
L6404	1-457-439-11	INDUCTOR	4.7UH	Q4399	8-729-027-43	TRANSISTOR DTC114EKA-T146	
L6405	1-457-439-11	INDUCTOR	4.7UH	Q5504	6-551-982-01	TR RT3K33M-T111A-1	
L6407	1-457-455-11	INDUCTOR	10UH	Q5506	8-729-028-96	TRANSISTOR DTC114EUA-T106	
L6410	1-412-052-21	INDUCTOR	1UH	Q5507	8-729-028-96	TRANSISTOR DTC114EUA-T106	
L6411	1-412-052-21	INDUCTOR	1UH	Q5508	6-551-815-01	TR UNR52A1G0LS0	

REF.NO.	PART.NO	DESCRIPTION	REMARK	REF.NO.	PART.NO	DESCRIPTION	REMARK
Q5509	6-551-701-01	TRANSISTOR INK0003AC1-T112A-1		R2011	1-218-953-11	RES-CHIP 1K 5%	1/16W
Q6400	8-729-620-07	TRANSISTOR 2SC3052EF-T1-LEF		R2012	1-218-941-81	RES-CHIP 100 5%	1/16W
Q6401	8-729-027-43	TRANSISTOR DTC114EKA-T146		R2013	1-218-941-81	RES-CHIP 100 5%	1/16W
Q6402	8-729-620-07	TRANSISTOR 2SC3052EF-T1-LEF		R2014	1-218-990-81	SHORT CHIP 0	
Q6403	8-729-027-43	TRANSISTOR DTC114EKA-T146		R2016	1-218-941-81	RES-CHIP 100 5%	1/16W
Q6404	8-729-027-43	TRANSISTOR DTC114EKA-T146		R2017	1-218-990-81	SHORT CHIP 0	
Q6405	8-729-620-07	TRANSISTOR 2SC3052EF-T1-LEF		R2018	1-218-941-81	RES-CHIP 100 5%	1/16W
Q6406	8-729-620-07	TRANSISTOR 2SC3052EF-T1-LEF		R2019	1-218-941-81	RES-CHIP 100 5%	1/16W
Q6407	6-550-828-01	TRANSISTOR RSQ035P03TR		R2020	1-218-990-81	SHORT CHIP 0	
Q6408	6-550-828-01	TRANSISTOR RSQ035P03TR		R2021	1-218-990-81	SHORT CHIP 0	
Q6409	6-550-355-01	TRANSISTOR RTQ045N03TR		R2022	1-218-941-81	RES-CHIP 100 5%	1/16W
Q6410	6-550-355-01	TRANSISTOR RTQ045N03TR		R2025	1-218-941-81	RES-CHIP 100 5%	1/16W
Q6411	6-550-828-01	TRANSISTOR RSQ035P03TR		R2026	1-218-941-81	RES-CHIP 100 5%	1/16W
Q6412	6-551-334-01	TRANSISTOR RTL035N03TR		R2027	1-218-941-81	RES-CHIP 100 5%	1/16W
Q6413	8-729-010-05	TRANSISTOR MSB709-RT1		R2029	1-218-941-81	RES-CHIP 100 5%	1/16W
Q6414	8-729-620-07	TRANSISTOR 2SC3052EF-T1-LEF		R2031	1-218-967-11	RES-CHIP 15K 5%	1/16W
Q6415	8-729-027-43	TRANSISTOR DTC114EKA-T146		R2032	1-216-864-11	SHORT CHIP 0	
Q6416	8-729-620-07	TRANSISTOR 2SC3052EF-T1-LEF		R2039	1-218-990-81	SHORT CHIP 0	
Q6417	8-729-620-07	TRANSISTOR 2SC3052EF-T1-LEF		R2040	1-218-990-81	SHORT CHIP 0	
Q6418	6-550-369-01	TRANSISTOR TPC8109 (TE12L)		R2041	1-218-990-81	SHORT CHIP 0	
Q6419	6-550-585-01	TRANSISTOR 2PC4081R-115		R2043	1-218-989-11	RES-CHIP 1M 5%	1/16W
Q6420	8-729-027-43	TRANSISTOR DTC114EKA-T146		R2044	1-218-941-81	RES-CHIP 100 5%	1/16W
Q6422	8-729-028-28	TRANSISTOR 2SK2036 (TE85L)		R2046	1-218-941-81	RES-CHIP 100 5%	1/16W
Q6424	6-550-585-01	TRANSISTOR 2PC4081R-115		R2047	1-218-990-81	SHORT CHIP 0	
Q6425	6-550-585-01	TRANSISTOR 2PC4081R-115		R2049	1-218-949-11	RES-CHIP 470 5%	1/16W
Q7200	8-729-010-05	TRANSISTOR MSB709-RT1		R2055	1-218-990-81	SHORT CHIP 0	
Q7201	8-729-028-28	TRANSISTOR 2SK2036 (TE85L)		R2060	1-218-990-81	SHORT CHIP 0	
Q7202	8-729-028-28	TRANSISTOR 2SK2036 (TE85L)		R2061	1-218-990-81	SHORT CHIP 0	
Q7203	8-729-028-96	TRANSISTOR DTC114EUA-T106		R2063	1-218-990-81	SHORT CHIP 0	
Q7204	8-729-028-86	TRANSISTOR DTA143EUA-T106		R2064	1-218-990-81	SHORT CHIP 0	
Q7800	6-551-817-01	TR UNR52A3G0LS0		R2070	1-218-990-81	SHORT CHIP 0	
Q7801	6-551-775-01	TR 2SA2122G0LS0		R2075	1-218-965-11	RES-CHIP 10K 5%	1/16W
Q7802	6-551-776-01	TR 2SC5950G0LS0		R2079	1-218-949-11	RES-CHIP 470 5%	1/16W
Q7803	6-551-776-01	TR 2SC5950G0LS0		R2080	1-218-990-81	SHORT CHIP 0	
Q7804	8-729-038-28	TRANSISTOR RT1N441C-TP-1		R2086	1-218-990-81	SHORT CHIP 0	
Q7805	6-551-677-01	TRANSISTOR RTAN140M-T111-1		R2087	1-218-990-81	SHORT CHIP 0	
Q7806	6-551-677-01	TRANSISTOR RTAN140M-T111-1		R2091	1-218-965-11	RES-CHIP 10K 5%	1/16W
		< RESISTOR >		R2092	1-218-965-11	RES-CHIP 10K 5%	1/16W
R2001	1-208-713-11	METAL CHIP 18K 0.5%	1/16W	R2093	1-218-965-11	RES-CHIP 10K 5%	1/16W
R2002	1-208-695-11	METAL CHIP 3.3K 0.5%	1/16W	R2099	1-218-990-81	SHORT CHIP 0	
R2003	1-218-941-81	RES-CHIP 100 5%	1/16W	R2101	1-218-990-81	SHORT CHIP 0	
R2004	1-218-941-81	RES-CHIP 100 5%	1/16W	R3006	1-220-169-11	RES-CHIP 75 5%	1/16W
R2005	1-218-941-81	RES-CHIP 100 5%	1/16W	R3008	1-220-169-11	RES-CHIP 75 5%	1/16W
R2006	1-218-961-11	RES-CHIP 4.7K 5%	1/16W	R3009	1-220-169-11	RES-CHIP 75 5%	1/16W
R2007	1-218-990-81	SHORT CHIP 0		R3010	1-220-169-11	RES-CHIP 75 5%	1/16W
R2008	1-218-941-81	RES-CHIP 100 5%	1/16W	R3011	1-220-169-11	RES-CHIP 75 5%	1/16W
R2009	1-218-941-81	RES-CHIP 100 5%	1/16W	R3013	1-216-811-11	METAL CHIP 150 5%	1/10W
R2010	1-218-941-81	RES-CHIP 100 5%	1/16W	R3016	1-216-811-11	METAL CHIP 150 5%	1/10W
				R3017	1-216-821-11	METAL CHIP 1K 5%	1/10W
				R3018	1-216-821-11	METAL CHIP 1K 5%	1/10W

REF.NO.	PART.NO	DESCRIPTION	REMARK	REF.NO.	PART.NO	DESCRIPTION	REMARK
R3019	1-216-813-11	METAL CHIP	220 5% 1/10W	R3123	1-218-943-11	RES-CHIP	150 5% 1/16W
R3021	1-216-813-11	METAL CHIP	220 5% 1/10W	R3124	1-218-943-11	RES-CHIP	150 5% 1/16W
R3028	1-220-169-11	RES-CHIP	75 5% 1/16W	R3125	1-218-943-11	RES-CHIP	150 5% 1/16W
R3032	1-216-853-11	METAL CHIP	470K 5% 1/10W	R3126	1-218-945-11	RES-CHIP	220 5% 1/16W
R3033	1-216-853-11	METAL CHIP	470K 5% 1/10W	R3127	1-218-945-11	RES-CHIP	220 5% 1/16W
R3034	1-216-853-11	METAL CHIP	470K 5% 1/10W	R3128	1-218-953-11	RES-CHIP	1K 5% 1/16W
R3035	1-216-853-11	METAL CHIP	470K 5% 1/10W	R3129	1-218-953-11	RES-CHIP	1K 5% 1/16W
R3036	1-216-853-11	METAL CHIP	470K 5% 1/10W	R3130	1-218-953-11	RES-CHIP	1K 5% 1/16W
R3037	1-216-853-11	METAL CHIP	470K 5% 1/10W	R3131	1-218-953-11	RES-CHIP	1K 5% 1/16W
R3040	1-216-811-11	METAL CHIP	150 5% 1/10W	R3132	1-218-953-11	RES-CHIP	1K 5% 1/16W
R3041	1-216-817-11	METAL CHIP	470 5% 1/10W	R3133	1-218-953-11	RES-CHIP	1K 5% 1/16W
R3042	1-216-811-11	METAL CHIP	150 5% 1/10W	R3134	1-218-953-11	RES-CHIP	1K 5% 1/16W
R3043	1-216-840-11	METAL CHIP	39K 5% 1/10W	R3135	1-218-953-11	RES-CHIP	1K 5% 1/16W
R3044	1-216-833-11	METAL CHIP	10K 5% 1/10W	R3136	1-218-947-11	RES-CHIP	330 5% 1/16W
R3047	1-216-853-11	METAL CHIP	470K 5% 1/10W	R3137	1-218-947-11	RES-CHIP	330 5% 1/16W
R3048	1-216-853-11	METAL CHIP	470K 5% 1/10W	R3138	1-218-947-11	RES-CHIP	330 5% 1/16W
R3063	1-220-169-11	RES-CHIP	75 5% 1/16W	R3139	1-218-947-11	RES-CHIP	330 5% 1/16W
R3065	1-220-169-11	RES-CHIP	75 5% 1/16W	R3140	1-218-947-11	RES-CHIP	330 5% 1/16W
R3066	1-220-169-11	RES-CHIP	75 5% 1/16W	R3141	1-218-947-11	RES-CHIP	330 5% 1/16W
R3067	1-220-169-11	RES-CHIP	75 5% 1/16W	R3401	1-218-965-11	RES-CHIP	10K 5% 1/16W
R3068	1-220-169-11	RES-CHIP	75 5% 1/16W	R3404	1-218-965-11	RES-CHIP	10K 5% 1/16W
R3073	1-216-809-11	METAL CHIP	100 5% 1/10W	R3405	1-218-941-81	RES-CHIP	100 5% 1/16W
R3074	1-216-809-11	METAL CHIP	100 5% 1/10W	R3408	1-218-977-11	RES-CHIP	100K 5% 1/16W
R3075	1-216-809-11	METAL CHIP	100 5% 1/10W	R3409	1-218-977-11	RES-CHIP	100K 5% 1/16W
R3076	1-216-853-11	METAL CHIP	470K 5% 1/10W	R3410	1-218-945-11	RES-CHIP	220 5% 1/16W
R3077	1-216-853-11	METAL CHIP	470K 5% 1/10W	R3411	1-218-945-11	RES-CHIP	220 5% 1/16W
R3090	1-220-169-11	RES-CHIP	75 5% 1/16W	R3412	1-208-683-11	METAL CHIP	1K 0.5% 1/16W
R3095	1-216-853-11	METAL CHIP	470K 5% 1/10W	R3413	1-208-683-11	METAL CHIP	1K 0.5% 1/16W
R3096	1-216-853-11	METAL CHIP	470K 5% 1/10W	R3414	1-218-972-11	RES-CHIP	39K 5% 1/16W
R3097	1-216-853-11	METAL CHIP	470K 5% 1/10W	R3415	1-218-972-11	RES-CHIP	39K 5% 1/16W
R3098	1-216-853-11	METAL CHIP	470K 5% 1/10W	R3416	1-218-968-11	RES-CHIP	18K 5% 1/16W
R3104	1-216-811-11	METAL CHIP	150 5% 1/10W	R3417	1-218-965-11	RES-CHIP	10K 5% 1/16W
R3105	1-216-817-11	METAL CHIP	470 5% 1/10W	R3418	1-218-965-11	RES-CHIP	10K 5% 1/16W
R3106	1-216-811-11	METAL CHIP	150 5% 1/10W	R3419	1-218-968-11	RES-CHIP	18K 5% 1/16W
R3107	1-216-840-11	METAL CHIP	39K 5% 1/10W	R3420	1-218-967-11	RES-CHIP	15K 5% 1/16W
R3108	1-216-833-11	METAL CHIP	10K 5% 1/10W	R3421	1-218-967-11	RES-CHIP	15K 5% 1/16W
R3109	1-218-941-81	RES-CHIP	100 5% 1/16W	R3422	1-218-968-11	RES-CHIP	18K 5% 1/16W
R3110	1-218-941-81	RES-CHIP	100 5% 1/16W	R3423	1-218-968-11	RES-CHIP	18K 5% 1/16W
R3111	1-218-941-81	RES-CHIP	100 5% 1/16W	R3426	1-218-941-81	RES-CHIP	100 5% 1/16W
R3112	1-218-941-81	RES-CHIP	100 5% 1/16W	R3427	1-218-941-81	RES-CHIP	100 5% 1/16W
R3113	1-218-941-81	RES-CHIP	100 5% 1/16W	R3600	1-218-941-81	RES-CHIP	100 5% 1/16W
R3114	1-218-941-81	RES-CHIP	100 5% 1/16W	R3601	1-218-941-81	RES-CHIP	100 5% 1/16W
R3115	1-218-941-81	RES-CHIP	100 5% 1/16W	R3602	1-218-941-81	RES-CHIP	100 5% 1/16W
R3116	1-218-941-81	RES-CHIP	100 5% 1/16W	R3603	1-218-941-81	RES-CHIP	100 5% 1/16W
R3117	1-218-941-81	RES-CHIP	100 5% 1/16W	R3607	1-218-961-11	RES-CHIP	4.7K 5% 1/16W
R3118	1-218-941-81	RES-CHIP	100 5% 1/16W	R3608	1-218-961-11	RES-CHIP	4.7K 5% 1/16W
R3119	1-218-941-81	RES-CHIP	100 5% 1/16W	R3612	1-218-941-81	RES-CHIP	100 5% 1/16W
R3120	1-218-943-11	RES-CHIP	150 5% 1/16W	R3613	1-218-941-81	RES-CHIP	100 5% 1/16W
R3121	1-218-943-11	RES-CHIP	150 5% 1/16W	R3614	1-218-941-81	RES-CHIP	100 5% 1/16W
R3122	1-218-943-11	RES-CHIP	150 5% 1/16W	R3615	1-218-941-81	RES-CHIP	100 5% 1/16W

REF.NO.	PART.NO	DESCRIPTION	REMARK	REF.NO.	PART.NO	DESCRIPTION	REMARK
R3616	1-218-965-11	RES-CHIP	10K 5% 1/16W	R4147	1-208-939-11	METAL CHIP	150K 0.5% 1/16W
R3617	1-218-965-11	RES-CHIP	10K 5% 1/16W	R4149	1-218-990-81	SHORT CHIP	0
R3618	1-218-965-11	RES-CHIP	10K 5% 1/16W	R4150	1-218-965-11	RES-CHIP	10K 5% 1/16W
R3619	1-218-965-11	RES-CHIP	10K 5% 1/16W	R4151	1-208-935-11	METAL CHIP	100K 0.5% 1/16W
R3620	1-218-965-11	RES-CHIP	10K 5% 1/16W	R4152	1-208-935-11	METAL CHIP	100K 0.5% 1/16W
R3621	1-218-965-11	RES-CHIP	10K 5% 1/16W	R4153	1-218-982-11	RES-CHIP	270K 5% 1/16W
R3622	1-218-941-81	RES-CHIP	100 5% 1/16W	R4154	1-208-927-11	METAL CHIP	47K 0.5% 1/16W
R3623	1-218-941-81	RES-CHIP	100 5% 1/16W	R4156	1-218-965-11	RES-CHIP	10K 5% 1/16W
R3624	1-218-977-11	RES-CHIP	100K 5% 1/16W	R4157	1-218-973-11	RES-CHIP	47K 5% 1/16W
R3625	1-218-977-11	RES-CHIP	100K 5% 1/16W	R4158	1-218-941-81	RES-CHIP	100 5% 1/16W
R4000	1-218-990-81	SHORT CHIP	0	R4159	1-218-965-11	RES-CHIP	10K 5% 1/16W
R4100	1-218-965-11	RES-CHIP	10K 5% 1/16W	R4161	1-218-965-11	RES-CHIP	10K 5% 1/16W
R4102	1-218-965-11	RES-CHIP	10K 5% 1/16W	R4162	1-218-965-11	RES-CHIP	10K 5% 1/16W
R4103	1-218-941-81	RES-CHIP	100 5% 1/16W	R4163	1-218-941-81	RES-CHIP	100 5% 1/16W
R4104	1-218-965-11	RES-CHIP	10K 5% 1/16W	R4164	1-218-941-81	RES-CHIP	100 5% 1/16W
R4105	1-218-941-81	RES-CHIP	100 5% 1/16W	R4165	1-218-941-81	RES-CHIP	100 5% 1/16W
R4106	1-218-941-81	RES-CHIP	100 5% 1/16W	R4166	1-218-941-81	RES-CHIP	100 5% 1/16W
R4107	1-218-941-81	RES-CHIP	100 5% 1/16W	R4167	1-218-969-11	RES-CHIP	22K 5% 1/16W
R4108	1-208-927-11	METAL CHIP	47K 0.5% 1/16W	R4168	1-218-941-81	RES-CHIP	100 5% 1/16W
R4109	1-218-990-81	SHORT CHIP	0	R4169	1-218-941-81	RES-CHIP	100 5% 1/16W
R4110	1-218-973-11	RES-CHIP	47K 5% 1/16W	R4170	1-218-941-81	RES-CHIP	100 5% 1/16W
R4111	1-218-973-11	RES-CHIP	47K 5% 1/16W	R4173	1-218-949-11	RES-CHIP	470 5% 1/16W
R4112	1-208-911-11	METAL CHIP	10K 0.5% 1/16W	R4174	1-218-949-11	RES-CHIP	470 5% 1/16W
R4113	1-218-941-81	RES-CHIP	100 5% 1/16W	R4175	1-218-941-81	RES-CHIP	100 5% 1/16W
R4114	1-243-975-11	METAL CHIP	4.7M 5% 1/16W	R4178	1-218-941-81	RES-CHIP	100 5% 1/16W
R4115	1-208-931-11	METAL CHIP	68K 0.5% 1/16W	R4179	1-218-941-81	RES-CHIP	100 5% 1/16W
R4116	1-218-965-11	RES-CHIP	10K 5% 1/16W	R4180	1-218-941-81	RES-CHIP	100 5% 1/16W
R4119	1-208-675-11	METAL CHIP	470 0.5% 1/16W	R4181	1-218-941-81	RES-CHIP	100 5% 1/16W
R4120	1-218-990-81	SHORT CHIP	0	R4182	1-218-935-11	RES-CHIP	33 5% 1/16W
R4121	1-218-990-81	SHORT CHIP	0	R4183	1-218-941-81	RES-CHIP	100 5% 1/16W
R4124	1-208-943-11	METAL CHIP	220K 0.5% 1/16W	R4184	1-218-941-81	RES-CHIP	100 5% 1/16W
R4126	1-208-933-11	METAL CHIP	82K 0.5% 1/16W	R4185	1-218-941-81	RES-CHIP	100 5% 1/16W
R4127	1-218-949-11	RES-CHIP	470 5% 1/16W	R4186	1-218-941-81	RES-CHIP	100 5% 1/16W
R4128	1-218-847-11	METAL CHIP	1K 0.5% 1/10W	R4187	1-218-941-81	RES-CHIP	100 5% 1/16W
R4129	1-218-957-11	RES-CHIP	2.2K 5% 1/16W	R4188	1-218-941-81	RES-CHIP	100 5% 1/16W
R4130	1-218-949-11	RES-CHIP	470 5% 1/16W	R4189	1-218-941-81	RES-CHIP	100 5% 1/16W
R4131	1-208-909-11	METAL CHIP	8.2K 0.5% 1/16W	R4190	1-218-935-11	RES-CHIP	33 5% 1/16W
R4132	1-218-957-11	RES-CHIP	2.2K 5% 1/16W	R4191	1-218-935-11	RES-CHIP	33 5% 1/16W
R4133	1-218-957-11	RES-CHIP	2.2K 5% 1/16W	R4192	1-218-941-81	RES-CHIP	100 5% 1/16W
R4134	1-218-969-11	RES-CHIP	22K 5% 1/16W	R4193	1-218-941-81	RES-CHIP	100 5% 1/16W
R4135	1-218-981-91	RES-CHIP	220K 5% 1/16W	R4194	1-218-941-81	RES-CHIP	100 5% 1/16W
R4136	1-218-990-81	SHORT CHIP	0	R4195	1-218-941-81	RES-CHIP	100 5% 1/16W
R4138	1-218-965-11	RES-CHIP	10K 5% 1/16W	R4200	1-218-953-11	RES-CHIP	1K 5% 1/16W
R4139	1-218-965-11	RES-CHIP	10K 5% 1/16W	R4201	1-218-961-11	RES-CHIP	4.7K 5% 1/16W
R4140	1-208-695-11	METAL CHIP	3.3K 0.5% 1/16W	R4202	1-218-990-81	SHORT CHIP	0
R4141	1-208-927-11	METAL CHIP	47K 0.5% 1/16W	R4204	1-218-990-81	SHORT CHIP	0
R4142	1-218-971-11	RES-CHIP	33K 5% 1/16W	R4208	1-218-990-81	SHORT CHIP	0
R4143	1-218-978-11	RES-CHIP	120K 5% 1/16W	R4209	1-218-990-81	SHORT CHIP	0
R4144	1-218-971-11	RES-CHIP	33K 5% 1/16W	R4210	1-218-941-81	RES-CHIP	100 5% 1/16W
R4145	1-208-943-11	METAL CHIP	220K 0.5% 1/16W	R4211	1-218-941-81	RES-CHIP	100 5% 1/16W

REF.NO.	PART.NO	DESCRIPTION	REMARK	REF.NO.	PART.NO	DESCRIPTION	REMARK
R4216	1-208-931-11	METAL CHIP	68K 0.5% 1/16W	R4518	1-218-963-11	RES-CHIP	6.8K 5% 1/16W
R4217	1-208-703-11	METAL CHIP	6.8K 0.5% 1/16W	R4519	1-218-827-11	METAL CHIP	150 0.5% 1/10W
R4219	1-218-941-81	RES-CHIP	100 5% 1/16W	R4522	1-218-827-11	METAL CHIP	150 0.5% 1/10W
R4220	1-208-683-11	METAL CHIP	1K 0.5% 1/16W	R4523	1-218-957-11	RES-CHIP	2.2K 5% 1/16W
R4300	1-218-990-81	SHORT CHIP	0	R4524	1-218-827-11	METAL CHIP	150 0.5% 1/10W
R4301	1-218-990-81	SHORT CHIP	0	R4526	1-218-827-11	METAL CHIP	150 0.5% 1/10W
R4302	1-218-953-11	RES-CHIP	1K 5% 1/16W	R4527	1-208-691-11	METAL CHIP	2.2K 0.5% 1/16W
R4303	1-218-937-11	RES-CHIP	47 5% 1/16W	R4535	1-218-977-11	RES-CHIP	100K 5% 1/16W
R4304	1-218-990-81	SHORT CHIP	0	R4537	1-218-963-11	RES-CHIP	6.8K 5% 1/16W
R4305	1-218-953-11	RES-CHIP	1K 5% 1/16W	R4540	1-218-957-11	RES-CHIP	2.2K 5% 1/16W
R4308	1-218-990-81	SHORT CHIP	0	R4542	1-218-941-81	RES-CHIP	100 5% 1/16W
R4309	1-218-941-81	RES-CHIP	100 5% 1/16W	R4544	1-218-849-11	METAL CHIP	1.2K 0.5% 1/10W
R4310	1-218-941-81	RES-CHIP	100 5% 1/16W	R4546	1-218-941-81	RES-CHIP	100 5% 1/16W
R4311	1-218-941-81	RES-CHIP	100 5% 1/16W	R4548	1-218-941-81	RES-CHIP	100 5% 1/16W
R4312	1-218-941-81	RES-CHIP	100 5% 1/16W	R4549	1-218-941-81	RES-CHIP	100 5% 1/16W
R4313	1-218-941-81	RES-CHIP	100 5% 1/16W	R4551	1-218-941-81	RES-CHIP	100 5% 1/16W
R4314	1-218-941-81	RES-CHIP	100 5% 1/16W	R4552	1-218-941-81	RES-CHIP	100 5% 1/16W
R4315	1-218-941-81	RES-CHIP	100 5% 1/16W	R4555	1-218-965-11	RES-CHIP	10K 5% 1/16W
R4316	1-218-941-81	RES-CHIP	100 5% 1/16W	R4557	1-218-941-81	RES-CHIP	100 5% 1/16W
R4317	1-218-941-81	RES-CHIP	100 5% 1/16W	R4569	1-216-864-11	SHORT CHIP	0
R4319	1-218-941-81	RES-CHIP	100 5% 1/16W	R4570	1-218-941-81	RES-CHIP	100 5% 1/16W
R4320	1-218-941-81	RES-CHIP	100 5% 1/16W	R4571	1-218-953-11	RES-CHIP	1K 5% 1/16W
R4321	1-218-941-81	RES-CHIP	100 5% 1/16W	R4574	1-218-969-11	RES-CHIP	22K 5% 1/16W
R4322	1-218-941-81	RES-CHIP	100 5% 1/16W	R5500	1-216-864-11	SHORT CHIP	0
R4323	1-218-941-81	RES-CHIP	100 5% 1/16W	R5503	1-218-970-11	RES-CHIP	27K 5% 1/16W
R4324	1-218-941-81	RES-CHIP	100 5% 1/16W	R5504	1-218-953-11	RES-CHIP	1K 5% 1/16W
R4325	1-218-941-81	RES-CHIP	100 5% 1/16W	R5505	1-218-953-11	RES-CHIP	1K 5% 1/16W
R4326	1-218-935-11	RES-CHIP	33 5% 1/16W	R5506	1-218-967-11	RES-CHIP	15K 5% 1/16W
R4327	1-218-941-81	RES-CHIP	100 5% 1/16W	R5507	1-218-967-11	RES-CHIP	15K 5% 1/16W
R4328	1-218-941-81	RES-CHIP	100 5% 1/16W	R5508	1-218-941-81	RES-CHIP	100 5% 1/16W
R4329	1-218-941-81	RES-CHIP	100 5% 1/16W	R5509	1-218-981-91	RES-CHIP	220K 5% 1/16W
R4330	1-218-935-11	RES-CHIP	33 5% 1/16W	R5510	1-218-941-81	RES-CHIP	100 5% 1/16W
R4332	1-218-935-11	RES-CHIP	33 5% 1/16W	R5511	1-218-981-91	RES-CHIP	220K 5% 1/16W
R4399	1-218-981-91	RES-CHIP	220K 5% 1/16W	R5512	1-218-941-81	RES-CHIP	100 5% 1/16W
R4400	1-218-981-91	RES-CHIP	220K 5% 1/16W	R5513	1-218-937-11	RES-CHIP	47 5% 1/16W
R4401	1-218-981-91	RES-CHIP	220K 5% 1/16W	R5514	1-218-965-11	RES-CHIP	10K 5% 1/16W
R4402	1-218-981-91	RES-CHIP	220K 5% 1/16W	R5515	1-218-937-11	RES-CHIP	47 5% 1/16W
R4403	1-218-965-11	RES-CHIP	10K 5% 1/16W	R5516	1-218-937-11	RES-CHIP	47 5% 1/16W
R4500	1-216-805-11	METAL CHIP	47 5% 1/10W	R5517	1-218-953-11	RES-CHIP	1K 5% 1/16W
R4501	1-216-864-11	SHORT CHIP	0	R5518	1-218-953-11	RES-CHIP	1K 5% 1/16W
R4502	1-216-864-11	SHORT CHIP	0	R5519	1-218-965-11	RES-CHIP	10K 5% 1/16W
R4503	1-216-864-11	SHORT CHIP	0	R5520	1-218-965-11	RES-CHIP	10K 5% 1/16W
R4504	1-216-805-11	METAL CHIP	47 5% 1/10W	R5521	1-208-683-11	METAL CHIP	1K 0.5% 1/16W
R4508	1-216-821-11	METAL CHIP	1K 5% 1/10W	R5522	1-208-683-11	METAL CHIP	1K 0.5% 1/16W
R4511	1-218-965-11	RES-CHIP	10K 5% 1/16W	R5523	1-218-941-81	RES-CHIP	100 5% 1/16W
R4512	1-218-965-11	RES-CHIP	10K 5% 1/16W	R5524	1-218-981-91	RES-CHIP	220K 5% 1/16W
R4513	1-216-805-11	METAL CHIP	47 5% 1/10W	R5525	1-218-965-11	RES-CHIP	10K 5% 1/16W
R4514	1-216-805-11	METAL CHIP	47 5% 1/10W	R5526	1-218-965-11	RES-CHIP	10K 5% 1/16W
R4515	1-218-827-11	METAL CHIP	150 0.5% 1/10W	R5529	1-218-971-11	RES-CHIP	33K 5% 1/16W
R4516	1-218-827-11	METAL CHIP	150 0.5% 1/10W	R5531	1-218-941-81	RES-CHIP	100 5% 1/16W

REF.NO.	PART.NO	DESCRIPTION	REMARK			REF.NO.	PART.NO	DESCRIPTION	REMARK		
R5534	1-218-941-81	RES-CHIP	100	5%	1/16W	R6427	1-218-965-11	RES-CHIP	10K	5%	1/16W
R5536	1-218-941-81	RES-CHIP	100	5%	1/16W	R6428	1-216-864-11	SHORT CHIP	0		
R5537	1-218-941-81	RES-CHIP	100	5%	1/16W	R6429	1-218-969-11	RES-CHIP	22K	5%	1/16W
R5538	1-218-941-81	RES-CHIP	100	5%	1/16W	R6437	1-208-711-11	METAL CHIP	15K	0.5%	1/16W
R5546	1-218-941-81	RES-CHIP	100	5%	1/16W	R6442	1-208-909-11	METAL CHIP	8.2K	0.5%	1/16W
R5547	1-218-961-11	RES-CHIP	4.7K	5%	1/16W	R6446	1-208-923-11	METAL CHIP	33K	0.5%	1/16W
R5553	1-218-967-11	RES-CHIP	15K	5%	1/16W	R6448	1-208-935-11	METAL CHIP	100K	0.5%	1/16W
R5554	1-218-967-11	RES-CHIP	15K	5%	1/16W	R6449	1-208-931-11	METAL CHIP	68K	0.5%	1/16W
R5555	1-218-941-81	RES-CHIP	100	5%	1/16W	R6450	1-208-927-11	METAL CHIP	47K	0.5%	1/16W
R5556	1-218-941-81	RES-CHIP	100	5%	1/16W	R6453	1-218-860-11	METAL CHIP	3.6K	0.5%	1/10W
R5557	1-218-941-81	RES-CHIP	100	5%	1/16W	R6457	1-208-711-11	METAL CHIP	15K	0.5%	1/16W
R5558	1-218-941-81	RES-CHIP	100	5%	1/16W	R6458	1-218-965-11	RES-CHIP	10K	5%	1/16W
R5559	1-218-967-11	RES-CHIP	15K	5%	1/16W	R6461	1-218-965-11	RES-CHIP	10K	5%	1/16W
R5560	1-218-967-11	RES-CHIP	15K	5%	1/16W	R6462	1-218-965-11	RES-CHIP	10K	5%	1/16W
R5561	1-218-965-11	RES-CHIP	10K	5%	1/16W	R6466	1-218-961-11	RES-CHIP	4.7K	5%	1/16W
R5575	1-218-953-11	RES-CHIP	1K	5%	1/16W	R6468	1-218-965-11	RES-CHIP	10K	5%	1/16W
R5576	1-218-967-11	RES-CHIP	15K	5%	1/16W	R6470	1-218-965-11	RES-CHIP	10K	5%	1/16W
R5577	1-218-941-81	RES-CHIP	100	5%	1/16W	R6472	1-218-965-11	RES-CHIP	10K	5%	1/16W
R5578	1-218-941-81	RES-CHIP	100	5%	1/16W	R6474	1-218-969-11	RES-CHIP	22K	5%	1/16W
R5579	1-218-967-11	RES-CHIP	15K	5%	1/16W	R6475	1-218-969-11	RES-CHIP	22K	5%	1/16W
R5580	1-218-967-11	RES-CHIP	15K	5%	1/16W	R6476	1-208-935-11	METAL CHIP	100K	0.5%	1/16W
R5593	1-218-941-81	RES-CHIP	100	5%	1/16W	R6478	1-208-935-11	METAL CHIP	100K	0.5%	1/16W
R5594	1-218-965-11	RES-CHIP	10K	5%	1/16W	R6480	1-218-965-11	RES-CHIP	10K	5%	1/16W
R5596	1-218-977-11	RES-CHIP	100K	5%	1/16W	R6481	1-218-941-81	RES-CHIP	100	5%	1/16W
R5597	1-208-699-11	METAL CHIP	4.7K	0.5%	1/16W	R6482	1-218-979-11	RES-CHIP	150K	5%	1/16W
R6400	1-218-973-11	RES-CHIP	47K	5%	1/16W	R6483	1-218-971-11	RES-CHIP	33K	5%	1/16W
R6401	1-218-965-11	RES-CHIP	10K	5%	1/16W	R6484	1-218-965-11	RES-CHIP	10K	5%	1/16W
R6402	1-218-990-81	SHORT CHIP	0			R6486	1-218-965-11	RES-CHIP	10K	5%	1/16W
R6403	1-218-969-11	RES-CHIP	22K	5%	1/16W	R6488	1-216-809-11	METAL CHIP	100	5%	1/10W
R6404	1-218-965-11	RES-CHIP	10K	5%	1/16W	R6489	1-218-965-11	RES-CHIP	10K	5%	1/16W
R6405	1-218-965-11	RES-CHIP	10K	5%	1/16W	R6493	1-218-965-11	RES-CHIP	10K	5%	1/16W
R6406	1-218-990-81	SHORT CHIP	0			R6494	1-218-957-11	RES-CHIP	2.2K	5%	1/16W
R6407	1-218-990-81	SHORT CHIP	0			R6498	1-216-809-11	METAL CHIP	100	5%	1/10W
R6408	1-218-990-81	SHORT CHIP	0			R6499	1-216-864-11	SHORT CHIP	0		
R6409	1-218-990-81	SHORT CHIP	0			R6500	1-218-965-11	RES-CHIP	10K	5%	1/16W
R6410	1-218-990-81	SHORT CHIP	0			R6501	1-208-931-11	METAL CHIP	68K	0.5%	1/16W
R6411	1-218-990-81	SHORT CHIP	0			R6502	1-218-983-11	RES-CHIP	330K	5%	1/16W
R6412	1-218-990-81	SHORT CHIP	0			R6503	1-218-965-11	RES-CHIP	10K	5%	1/16W
R6413	1-208-711-11	METAL CHIP	15K	0.5%	1/16W	R6504	1-218-965-11	RES-CHIP	10K	5%	1/16W
R6414	1-218-965-11	RES-CHIP	10K	5%	1/16W	R6505	1-218-941-81	RES-CHIP	100	5%	1/16W
R6415	1-208-711-11	METAL CHIP	15K	0.5%	1/16W	R6506	1-218-983-11	RES-CHIP	330K	5%	1/16W
R6416	1-208-935-11	METAL CHIP	100K	0.5%	1/16W	R6507	1-218-983-11	RES-CHIP	330K	5%	1/16W
R6417	1-208-943-11	METAL CHIP	220K	0.5%	1/16W	R6508	1-218-959-11	RES-CHIP	3.3K	5%	1/16W
R6418	1-208-923-11	METAL CHIP	33K	0.5%	1/16W	R6511	1-218-953-11	RES-CHIP	1K	5%	1/16W
R6419	1-218-990-81	SHORT CHIP	0			R6512	1-208-683-11	METAL CHIP	1K	0.5%	1/16W
R6420	1-218-965-11	RES-CHIP	10K	5%	1/16W	R6513	1-220-174-11	RES-CHIP	200	5%	1/16W
R6421	1-208-711-11	METAL CHIP	15K	0.5%	1/16W	R6514	1-208-683-11	METAL CHIP	1K	0.5%	1/16W
R6423	1-208-703-11	METAL CHIP	6.8K	0.5%	1/16W	R6515	1-208-866-11	METAL CHIP	130	0.5%	1/16W
R6424	1-208-933-11	METAL CHIP	82K	0.5%	1/16W	R6516	1-208-683-11	METAL CHIP	1K	0.5%	1/16W
R6425	1-208-918-11	METAL CHIP	20K	0.5%	1/16W	R6520	1-216-864-11	SHORT CHIP	0		



REF.NO.	PART.NO	DESCRIPTION	REMARK			REF.NO.	PART.NO	DESCRIPTION	REMARK		
R6523	1-216-864-11	SHORT CHIP	0			R7208	1-218-961-11	RES-CHIP	4.7K	5%	1/16W
R6524	1-216-864-11	SHORT CHIP	0			R7217	1-218-939-11	RES-CHIP	68	5%	1/16W
R6538	1-216-864-11	SHORT CHIP	0			R7218	1-218-941-11	RES-CHIP	100	5%	1/16W
R6539	1-216-864-11	SHORT CHIP	0			R7219	1-218-941-11	RES-CHIP	100	5%	1/16W
R6541	1-208-893-11	METAL CHIP	1.8K	0.5%	1/16W	R7221	1-218-965-11	RES-CHIP	10K	5%	1/16W
R6542	1-216-864-11	SHORT CHIP	0			R7223	1-218-965-11	RES-CHIP	10K	5%	1/16W
R6543	1-216-864-11	SHORT CHIP	0			R7224	1-218-965-11	RES-CHIP	10K	5%	1/16W
R7104	1-218-941-81	RES-CHIP	100	5%	1/16W	R7226	1-218-965-11	RES-CHIP	10K	5%	1/16W
R7106	1-218-941-81	RES-CHIP	100	5%	1/16W	R7227	1-218-953-11	RES-CHIP	1K	5%	1/16W
R7111	1-218-961-11	RES-CHIP	4.7K	5%	1/16W	R7228	1-218-939-11	RES-CHIP	68	5%	1/16W
R7112	1-218-961-11	RES-CHIP	4.7K	5%	1/16W	R7229	1-218-941-81	RES-CHIP	100	5%	1/16W
R7115	1-218-937-11	RES-CHIP	47	5%	1/16W	R7230	1-218-941-81	RES-CHIP	100	5%	1/16W
R7116	1-218-937-11	RES-CHIP	47	5%	1/16W	R7231	1-218-941-81	RES-CHIP	100	5%	1/16W
R7126	1-218-937-11	RES-CHIP	47	5%	1/16W	R7232	1-218-941-81	RES-CHIP	100	5%	1/16W
R7127	1-218-937-11	RES-CHIP	47	5%	1/16W	R7233	1-218-937-11	RES-CHIP	47	5%	1/16W
R7128	1-218-965-11	RES-CHIP	10K	5%	1/16W	R7234	1-218-945-11	RES-CHIP	220	5%	1/16W
R7129	1-218-937-11	RES-CHIP	47	5%	1/16W	R7235	1-218-953-11	RES-CHIP	1K	5%	1/16W
R7140	1-218-937-11	RES-CHIP	47	5%	1/16W	R7237	1-218-941-81	RES-CHIP	100	5%	1/16W
R7141	1-220-174-11	RES-CHIP	200	5%	1/16W	R7238	1-218-941-81	RES-CHIP	100	5%	1/16W
R7144	1-208-671-11	METAL CHIP	330	0.5%	1/16W	R7241	1-218-941-81	RES-CHIP	100	5%	1/16W
R7145	1-208-883-81	METAL CHIP	680	0.5%	1/16W	R7242	1-218-965-11	RES-CHIP	10K	5%	1/16W
R7147	1-218-990-81	SHORT CHIP	0			R7243	1-218-965-11	RES-CHIP	10K	5%	1/16W
R7148	1-208-675-11	METAL CHIP	470	0.5%	1/16W	R7244	1-208-695-11	METAL CHIP	3.3K	0.5%	1/16W
R7149	1-218-941-81	RES-CHIP	100	5%	1/16W	R7300	1-218-965-11	RES-CHIP	10K	5%	1/16W
R7150	1-218-941-81	RES-CHIP	100	5%	1/16W	R7302	1-218-965-11	RES-CHIP	10K	5%	1/16W
R7151	1-218-941-81	RES-CHIP	100	5%	1/16W	R7303	1-218-965-11	RES-CHIP	10K	5%	1/16W
R7152	1-218-941-81	RES-CHIP	100	5%	1/16W	R7304	1-218-965-11	RES-CHIP	10K	5%	1/16W
R7153	1-218-941-81	RES-CHIP	100	5%	1/16W	R7305	1-218-941-81	RES-CHIP	100	5%	1/16W
R7154	1-218-941-81	RES-CHIP	100	5%	1/16W	R7306	1-218-945-11	RES-CHIP	220	5%	1/16W
R7155	1-218-941-81	RES-CHIP	100	5%	1/16W	R7308	1-218-941-81	RES-CHIP	100	5%	1/16W
R7156	1-218-941-81	RES-CHIP	100	5%	1/16W	R7309	1-218-965-11	RES-CHIP	10K	5%	1/16W
R7157	1-218-941-81	RES-CHIP	100	5%	1/16W	R7310	1-218-937-11	RES-CHIP	47	5%	1/16W
R7158	1-218-937-11	RES-CHIP	47	5%	1/16W	R7311	1-218-937-11	RES-CHIP	47	5%	1/16W
R7159	1-218-937-11	RES-CHIP	47	5%	1/16W	R7312	1-218-937-11	RES-CHIP	47	5%	1/16W
R7160	1-218-937-11	RES-CHIP	47	5%	1/16W	R7313	1-218-937-11	RES-CHIP	47	5%	1/16W
R7161	1-218-937-11	RES-CHIP	47	5%	1/16W	R7314	1-218-937-11	RES-CHIP	47	5%	1/16W
R7162	1-218-937-11	RES-CHIP	47	5%	1/16W	R7315	1-218-937-11	RES-CHIP	47	5%	1/16W
R7163	1-218-937-11	RES-CHIP	47	5%	1/16W	R7316	1-218-937-11	RES-CHIP	47	5%	1/16W
R7164	1-218-937-11	RES-CHIP	47	5%	1/16W	R7317	1-218-937-11	RES-CHIP	47	5%	1/16W
R7165	1-218-937-11	RES-CHIP	47	5%	1/16W	R7318	1-218-937-11	RES-CHIP	47	5%	1/16W
R7166	1-218-937-11	RES-CHIP	47	5%	1/16W	R7319	1-218-937-11	RES-CHIP	47	5%	1/16W
R7167	1-218-937-11	RES-CHIP	47	5%	1/16W	R7320	1-218-941-81	RES-CHIP	100	5%	1/16W
R7168	1-218-937-11	RES-CHIP	47	5%	1/16W	R7321	1-218-941-81	RES-CHIP	100	5%	1/16W
R7169	1-218-937-11	RES-CHIP	47	5%	1/16W	R7322	1-218-941-81	RES-CHIP	100	5%	1/16W
R7200	1-218-949-11	RES-CHIP	470	5%	1/16W	R7323	1-218-965-11	RES-CHIP	10K	5%	1/16W
R7202	1-218-953-11	RES-CHIP	1K	5%	1/16W	R7324	1-218-965-11	RES-CHIP	10K	5%	1/16W
R7203	1-218-965-11	RES-CHIP	10K	5%	1/16W	R7325	1-218-965-11	RES-CHIP	10K	5%	1/16W
R7204	1-218-953-11	RES-CHIP	1K	5%	1/16W	R7326	1-218-965-11	RES-CHIP	10K	5%	1/16W
R7206	1-218-949-11	RES-CHIP	470	5%	1/16W	R7327	1-218-965-11	RES-CHIP	10K	5%	1/16W
R7207	1-218-949-11	RES-CHIP	470	5%	1/16W	R7328	1-218-965-11	RES-CHIP	10K	5%	1/16W

REF.NO.	PART.NO	DESCRIPTION	REMARK	REF.NO.	PART.NO	DESCRIPTION	REMARK
R7329	1-218-965-11	RES-CHIP	10K 5% 1/16W			< RESISTOR CHIP >	
R7330	1-218-965-11	RES-CHIP	10K 5% 1/16W				
R7331	1-218-953-11	RES-CHIP	1K 5% 1/16W	RB2000	1-239-694-81	RESISTOR, NETWORK 4.7K	
R7332	1-218-953-11	RES-CHIP	1K 5% 1/16W	RB4300	1-234-372-11	RES, NETWORK 100	(1005X4)
R7333	1-218-937-11	RES-CHIP	47 5% 1/16W	RB4311	1-234-372-11	RES, NETWORK 100	(1005X4)
				RB4312	1-234-372-11	RES, NETWORK 100	(1005X4)
R7334	1-218-937-11	RES-CHIP	47 5% 1/16W	RB4313	1-234-372-11	RES, NETWORK 100	(1005X4)
R7335	1-218-937-11	RES-CHIP	47 5% 1/16W				
R7336	1-218-937-11	RES-CHIP	47 5% 1/16W	RB4314	1-234-372-11	RES, NETWORK 100	(1005X4)
R7337	1-218-937-11	RES-CHIP	47 5% 1/16W	RB4315	1-234-372-11	RES, NETWORK 100	(1005X4)
R7338	1-218-937-11	RES-CHIP	47 5% 1/16W	RB4316	1-234-372-11	RES, NETWORK 100	(1005X4)
				RB4317	1-234-372-11	RES, NETWORK 100	(1005X4)
R7339	1-218-937-11	RES-CHIP	47 5% 1/16W	RB4318	1-234-372-11	RES, NETWORK 100	(1005X4)
R7512	1-218-961-11	RES-CHIP	4.7K 5% 1/16W				
R7513	1-218-965-11	RES-CHIP	10K 5% 1/16W	RB4319	1-234-372-11	RES, NETWORK 100	(1005X4)
R7515	1-218-965-11	RES-CHIP	10K 5% 1/16W	RB4320	1-234-372-11	RES, NETWORK 100	(1005X4)
R7800	1-218-965-11	RES-CHIP	10K 5% 1/16W	RB4321	1-234-372-11	RES, NETWORK 100	(1005X4)
				RB4322	1-234-372-11	RES, NETWORK 100	(1005X4)
R7801	1-218-965-11	RES-CHIP	10K 5% 1/16W	RB4501	1-234-377-21	RES, NETWORK 4.7K	(1005X4)
R7802	1-218-961-11	RES-CHIP	4.7K 5% 1/16W				
R7803	1-218-973-11	RES-CHIP	47K 5% 1/16W	RB5504	1-234-371-21	RES, NETWORK 47	(1005X4)
R7804	1-218-965-11	RES-CHIP	10K 5% 1/16W	RB5505	1-234-371-21	RES, NETWORK 47	(1005X4)
R7805	1-218-961-11	RES-CHIP	4.7K 5% 1/16W	RB5506	1-234-371-21	RES, NETWORK 47	(1005X4)
				RB5507	1-234-371-21	RES, NETWORK 47	(1005X4)
R7806	1-218-973-11	RES-CHIP	47K 5% 1/16W	RB5508	1-234-371-21	RES, NETWORK 47	(1005X4)
R7807	1-218-973-11	RES-CHIP	47K 5% 1/16W				
R7808	1-218-965-11	RES-CHIP	10K 5% 1/16W	RB5509	1-234-371-21	RES, NETWORK 47	(1005X4)
R7809	1-218-973-11	RES-CHIP	47K 5% 1/16W	RB5510	1-234-371-21	RES, NETWORK 47	(1005X4)
R7810	1-218-965-11	RES-CHIP	10K 5% 1/16W	RB7100	1-234-372-11	RES, NETWORK 100	(1005X4)
				RB7101	1-234-378-21	RES, NETWORK 10K	(1005X4)
R7811	1-218-965-11	RES-CHIP	10K 5% 1/16W	RB7103	1-234-371-21	RES, NETWORK 47	(1005X4)
R7812	1-216-809-11	METAL CHIP	100 5% 1/10W				
R7813	1-216-809-11	METAL CHIP	100 5% 1/10W	RB7106	1-234-378-21	RES, NETWORK 10K	(1005X4)
R7814	1-216-813-11	METAL CHIP	220 5% 1/10W	RB7200	1-234-375-21	RES, NETWORK 1K	(1005X4)
R7815	1-216-813-11	METAL CHIP	220 5% 1/10W	RB7202	1-234-375-21	RES, NETWORK 1K	(1005X4)
				RB7204	1-234-375-21	RES, NETWORK 1K	(1005X4)
R7816	1-216-864-11	SHORT CHIP	0	RB7205	1-234-702-11	RES, NETWORK 68	(1005X4)
R7817	1-216-864-11	SHORT CHIP	0				
R7825	1-216-864-11	SHORT CHIP	0	RB7206	1-234-702-11	RES, NETWORK 68	(1005X4)
R7826	1-216-864-11	SHORT CHIP	0	RB7207	1-234-372-11	RES, NETWORK 100	(1005X4)
R7827	1-216-864-11	SHORT CHIP	0	RB7208	1-234-372-11	RES, NETWORK 100	(1005X4)
				RB7209	1-234-372-11	RES, NETWORK 100	(1005X4)
R7828	1-216-864-11	SHORT CHIP	0	RB7210	1-234-372-11	RES, NETWORK 100	(1005X4)
R7830	1-216-817-11	METAL CHIP	470 5% 1/10W				
R7831	1-216-817-11	METAL CHIP	470 5% 1/10W	RB7211	1-234-372-11	RES, NETWORK 100	(1005X4)
R7832	1-216-821-11	METAL CHIP	1K 5% 1/10W	RB7212	1-234-702-11	RES, NETWORK 68	(1005X4)
R7834	1-216-817-11	METAL CHIP	470 5% 1/10W	RB7213	1-234-702-11	RES, NETWORK 68	(1005X4)
				RB7214	1-234-375-21	RES, NETWORK 1K	(1005X4)
R7835	1-218-969-11	RES-CHIP	22K 5% 1/16W	RB7215	1-234-375-21	RES, NETWORK 1K	(1005X4)
R7836	1-218-969-11	RES-CHIP	22K 5% 1/16W				
R7838	1-216-809-11	METAL CHIP	100 5% 1/10W	RB7500	1-234-378-21	RES, NETWORK 10K	(1005X4)
R7839	1-216-833-11	METAL CHIP	10K 5% 1/10W	RB7501	1-234-372-11	RES, NETWORK 100	(1005X4)
R7840	1-218-969-11	RES-CHIP	22K 5% 1/16W	RB7502	1-234-378-21	RES, NETWORK 10K	(1005X4)
R7841	1-218-969-11	RES-CHIP	22K 5% 1/16W			< VARISTOR >	
R7842	1-218-973-11	RES-CHIP	47K 5% 1/16W	VD5500	1-802-078-11	VARISTOR (SMD)	
				VD5501	1-802-481-11	ESD SUPPRESSOR (4 ARRAY)	
				VD5502	1-802-481-11	ESD SUPPRESSOR (4 ARRAY)	



REF.NO.	PART.NO	DESCRIPTION	REMARK	REF.NO.	PART.NO	DESCRIPTION	REMARK
---------	---------	-------------	--------	---------	---------	-------------	--------

**ACCESSORIES AND CONNECTORS**

- 1-835-716-11 LEAD WIRE WITH CONNECTOR (LVDS) (PANEL-CN4104 (BC1)) (26 inches)
- 1-835-717-11 LEAD WIRE WITH CONNECTOR (LVDS) (PANEL-CN4104 (BC1)) (37 inches)
- 1-835-720-11 LEAD WIRE WITH CONNECTOR (LVDS) (PANEL-CN4104 (BC1)) (32 inches)
- \*1-910-047-84 CONNECTOR ASSY 30P (CN6401 (BC1)-CN6200 (GA2) , CN6203 (GA2)) (26 inches)
- \*1-910-047-85 CONNECTOR ASSY 30P (CN6404 (BC1)-CN6200 (GA2) , CN6203 (GA2)) (32 inches)
- \*1-910-047-86 CONNECTOR ASSY 30P (CN6404 (BC1)-CN6100 (GA3) , CN6603 (GA3)) (37 inches)
- \*1-910-047-87 CONNECTOR ASSY 3P (CN4102 (BC1)-SWITCH UNIT) (26 inches)
- \*1-910-047-88 CONNECTOR ASSY 3P (CN4102 (BC1)-SWITCH UNIT) (32 inches)
- \*1-910-047-89 CONNECTOR ASSY 3P (CN4102 (BC1)-SWITCH UNIT) (37 inches)
- \*1-910-047-90 CONNECTOR ASSY 9P (CN4103 (BC1)-CN301 (HM4)) (26 inches)
- \*1-910-047-91 CONNECTOR ASSY 9P (CN4103 (BC1)-CN301 (HM4)) (32 inches)
- \*1-910-047-92 CONNECTOR ASSY 9P (CN4103 (BC1)-CN301 (HM5)) (37 inches)
- \*1-910-047-93 CONNECTOR ASSY SP 26 (CN6400 (GA2) -SPEAKERS) (26 inches)
- \*1-910-047-94 CONNECTOR ASSY SP 32 (CN6400 (GA2) -SPEAKERS) (32 inches)
- \*1-910-047-95 CONNECTOR ASSY SP 37 (CN6400 (GA3) -SPEAKERS) (37 inches)
- \*1-910-047-99 CONNECTOR ASSY 14P (CN6002 (GA2) -INVERTER) (26 inches)
- \*1-910-048-00 CONNECTOR ASSY 14P (CN6002 (GA2) -INVERTER) (32 inches)
- \*4-109-755-11 INSTRUCTION MANUAL (UK) ENGLISH
- \*4-109-755-21 INSTRUCTION MANUAL (WE) GERMAN/FRENCH/  
ITALIAN/DUTCH
- \*4-109-755-31 INSTRUCTION MANUAL (WE) SPANISH/GREEK/  
PORTUGUESE
- \*4-109-755-41 INSTRUCTION MANUAL (OIRT) ENGLISH/RUSSIAN/  
POLISH/CZECH/SLOVAK/HUNGARIAN
- \*4-109-755-51 INSTRUCTION MANUAL (OIRT) SWEDISH/DANISH/  
FINNISH/NORWEGIAN/TURKISH

**REMOTE COMMANDER**

- 1-480-158-11 REMOTE COMMANDER (RM-ED009)

